

Minuteman[®]
Excellence Meets Clean



Parts and Instruction Manual
X839 Asbestos Series
15, 30, & 55 Gallon

www.minutemanvac.com, a division of Enviro Safety Products | 1.800.637.6606

This manual is furnished with each new **MINUTEMAN X839**. This provides the necessary operating and preventive maintenance instructions. Operators must read and understand this manual before operating or servicing this machine.

This machine was designed to give you excellent performance and efficiency. For best results and minimal cost, please follow the general guidelines below:

- Operate the machine with reasonable care.
- Follow the manufacturers suggested maintenance instructions as provided in this booklet.
- Use original Minuteman supplied parts.

TECHNICAL SPECIFICATIONS

Model X839

Number	Wet Capacity**	Dry Capacity	Tank Size	Material	Air Flow	Waterlift	Filter Area
C83985-01	12 gal (45 ltr)	.82 cu. ft (.02 m3)	15 gal (57 ltr)	SS	95 CFM(2.7m3/min)	85" (2159 mm)	1137in2(7336cm2)
C83905-01	12 gal (45 ltr)	.82 cu. ft (.02 m3)	15 gal (57 ltr)	SS	115 CFM(3.2m3/min)	105" (2667 mm)	2592in2(16,724cm2)
C83930-01	12 gal (45 ltr)	.82 cu. ft (.02 m3)	15 gal (57 ltr)	SS	100 CFM(2.8m3/min)	130" (3302 mm)	2592in2(16,724cm2)
C83985-03	12 gal (45 ltr)	.82 cu. ft (.03 m3)	15 gal (57 ltr)	PTD	95 CFM(2.7m3/min)	85" (2159 mm)	1137in2(7336cm2)
C83905-03	12 gal (45 ltr)	.82 cu. ft (.02 m3)	15 gal (57 ltr)	PTD	115 CFM(3.2m3/min)	105" (2667 mm)	2592in2(16,724cm2)
C83930-03	12 gal (45 ltr)	.82 cu. ft (.02 m3)	15 gal (57 ltr)	PTD	100 CFM(2.8m3/min)	130" (3302 mm)	2592in2(16,724cm2)
C83985-05	13 gal (49 ltr)	.82 cu. ft (.02 m3)	15 gal (57 ltr)	POLY	95 CFM(2.7m3/min)	85" (2159 mm)	1137in2(7336cm2)
C83905-05	13 gal (49 ltr)	.82 cu. ft (.02 m3)	15 gal (57 ltr)	POLY	115 CFM(3.2m3/min)	105" (2667 mm)	2592in2(16,724cm2)
C83930-05	13 gal (49 ltr)	.82 cu. ft (.02 m3)	15 gal (57 ltr)	POLY	100 CFM(2.8m3/min)	130" (3302 mm)	2592in2(16,724cm2)
C83985-06	19 gal (72 ltr)	1.3 cu. ft (.03 m3)	20 gal (76 ltr)	POLY	95 CFM(2.7m3/min)	85" (2159 mm)	1137in2(7336cm2)
C83905-06	19 gal (72 ltr)	1.3 cu. ft (.03 m3)	20 gal (76 ltr)	POLY	115CFM(3.2m3/min)	105" (2667 mm)	2592in2(16,724cm2)
C83930-06	19 gal (72 ltr)	1.3 cu. ft (.03 m3)	20 gal (76 ltr)	POLY	100CFM(2.8m3/min)	130" (3302 mm)	2592in2(16,724cm2)
C83985-30	27 gal (102 ltr)	3.6 cu. ft (.09 m3)	30 gal (113 ltr)	PTD	95 CFM(2.7m3/min)	85" (22159 mm)	1137in2(7336cm2)
C83905-30	27 gal (102 ltr)	3.6 cu. ft (.09 m3)	30 gal (113 ltr)	PTD	115CFM(3.2m3/min)	105" (2667 mm)	2592in2(16,724cm2)
C83930-30	27 gal (102 ltr)	3.6 cu. ft (.09 m3)	30 gal (113 ltr)	PTD	100CFM(3.2m3/min)	130" (3302 mm)	2592in2(16,724cm2)
C83985-55	47 gal (178 ltr)	7.2 cu. ft (.20 m3)	55 gal (208 ltr)	PTD	95 CFM(2.7m3/min)	85" (22159 mm)	1137in2(7336cm2)
C83905-55	47 gal (178 ltr)	7.2 cu. ft (.20 m3)	55 gal (208 ltr)	PTD	115CFM(3.2m3/min)	105" (2667 mm)	2592in2(16,724cm2)
C83930-55	47 gal (178 ltr)	7.2 cu. ft (.20 m3)	55 gal (208 ltr)	PTD	100CFM(3.2m3/min)	130" (3302 mm)	2592in2(16,724cm2)

SS= Stainless Steel; PTD= Painted; POLY= Polyethylene

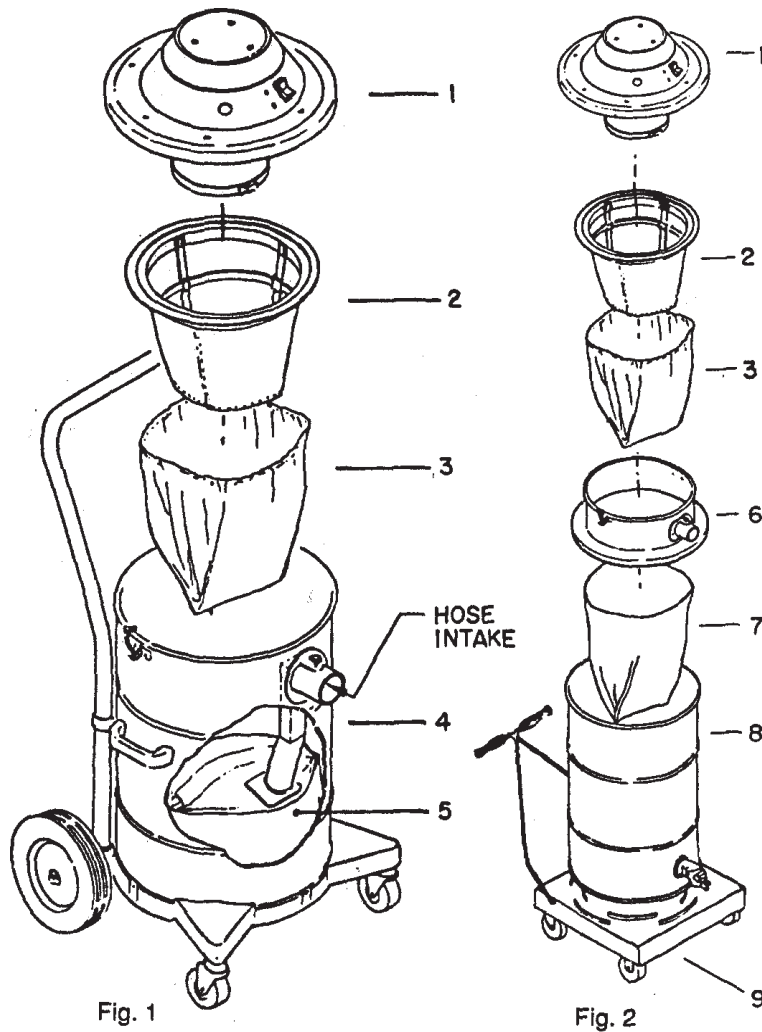
**** Units must have an optional 1:1 adapter in order to operate wet.**

All 15, 30, or 55 gallon dry recovery vacuums can be converted to wet recovery by adding a water shut-off and 1:1 adaptor.

Table of Contents

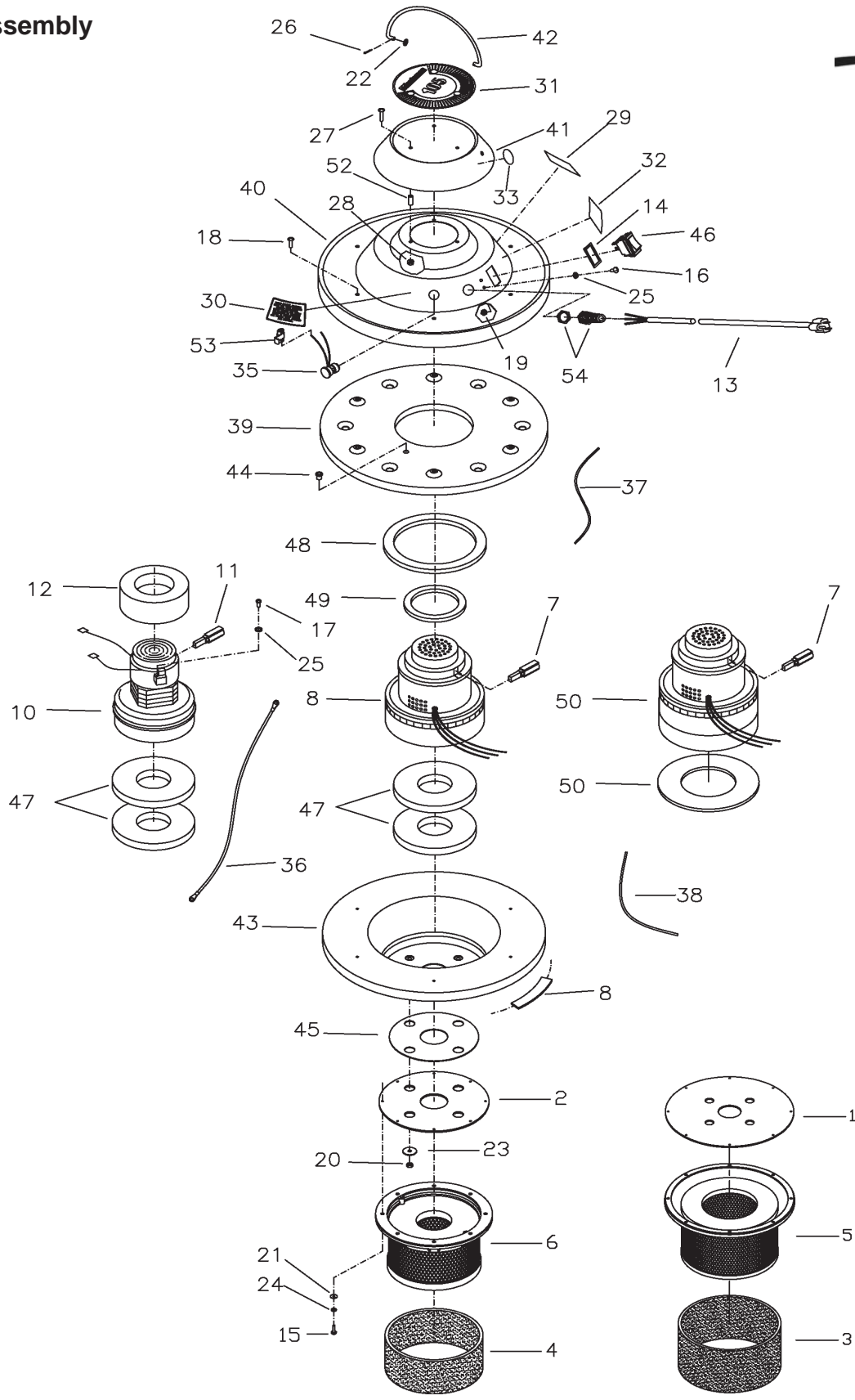
IMPORTANT SAFETY INSTRUCTIONS	1
Inspection	2
Electrical- 115 Volt	2
Grounding Instructions	2
User Maintenance Instructions	3
Cloth Bag & Hose Assembly	3
Cord Storage	3
Operation and Filter Care Instructions	4
Tank/Filter Set-Up Procedure	4
Procedure for Removing Contaminated Filters and for Cleaning of Contaminated Tank	4
Changing the Prefilter	5
Assembly Instructions for Dry Recovery - Models 30/55 gallon	5
Emptying Procedure After Dry Recovery	5
Exploded Views	6
Main Assembly	6
Lid Assembly	7
Lid Assembly BOM	8
Tank Assembly - 15 Gallon	9
Tank Assembly - 15 Gallon BOM	10
Tank Assembly - 30 & 55 Gallon	11
Adapter Assembly	12
Dolly Assembly	13
Bag Assembly	14
Minuteman International Made Simple Commercial Limited Warranty	15

Main Assembly



Item	Part No.	Description
1	801085 (85)	Lid Asy Comp
	801105 (105)	Lid Asy Comp
	801130 (130)	Lid Asy Comp
2	805058	Cloth Bag Asy Comp
3	805038 Pkg	Disposable Fliter Protector Pkg of 12
4	750221-01	Tank Asy Comp 15 Gallon Stainless Steel
	750220-01	Tank Asy Comp 15 Gallon Painted
5	760598 Pkg	Disposable Paper Bag
	805037 Pkg	Disposable Plastic Bag
6	C80601-70	Adapter Comp 30 Gallon
	C80601-80	Adapter Comp 55 Gallon
7	805037 Pkg	Drum Liner 30 Gallon
	805046 Pkg	Drum Liner 55 Gallon
8	C90007-80	30 Gallon Drum
	900015 PTD	55 Gallon Drum
9	900048	Dolly Cart Comp 30/55 Gallon

Lid Assembly



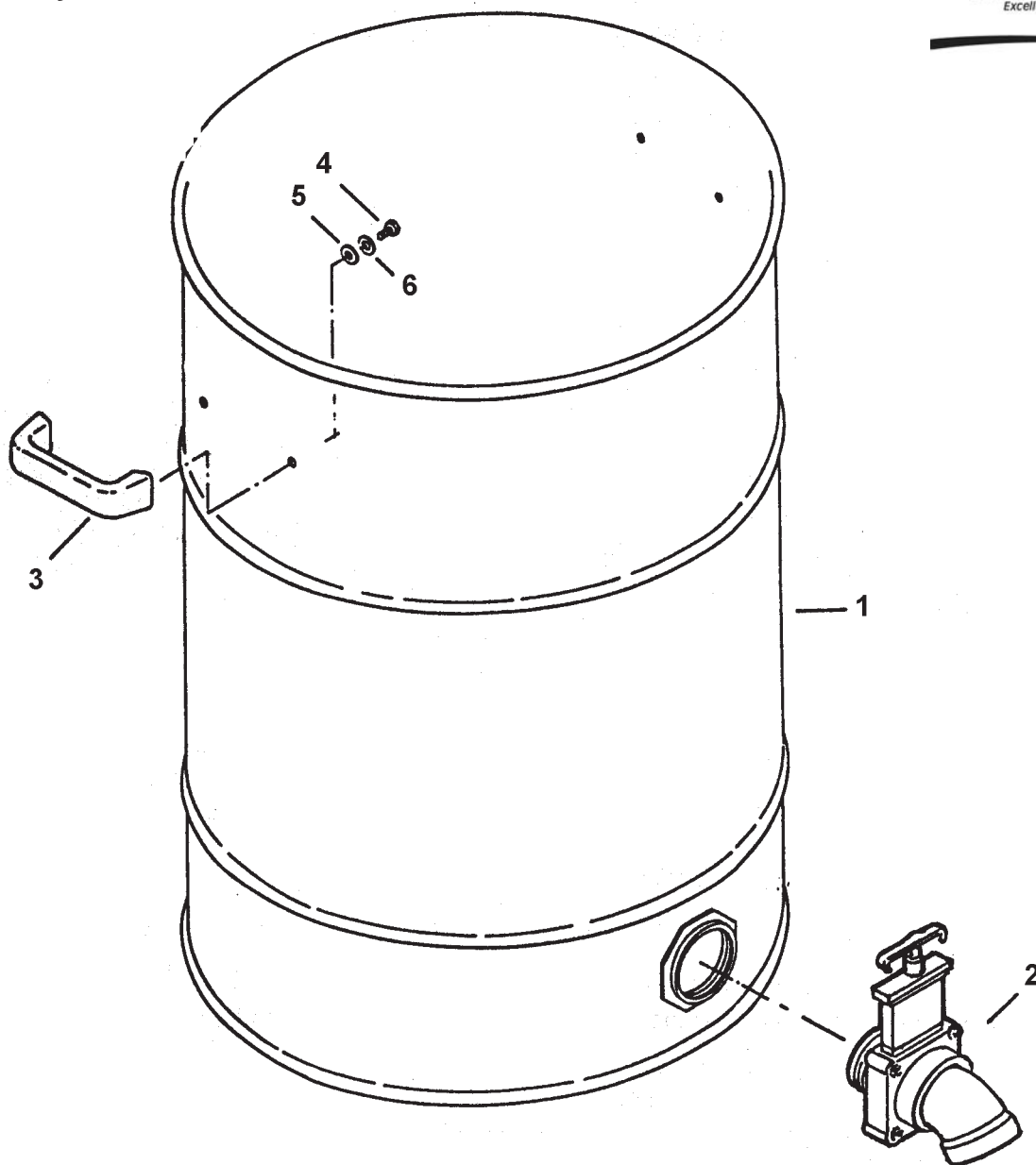
Lid Assembly BOM

ITEM	PART NO.	REQ'D	DESCRIPTION
1	110003	1	MOUNTING PLATE (110038)
2	110012	1	MOUNTING PLATE (110039)
3	110028PKG	1	PREFILTER SLEEVE, PKG OF 6 (110038)
4	110030PKG	1	PREFILTER SLEEVE, PKG OF 6 (110039)
5	110038	1	FILTER-HEPA, 10"
6	110039	1	FILTER-ULPA, X839 SERIES
7	255008	2	BRUSH, CARBON - 105/130
8	255039	1	VACUUM MOTOR, BYPASS 115V-105
9	290030	1	LID GASKET DIECUT 15G 290
10	380001-4	1	VACUUM MOTOR, BYPASS (ECM) 115V-85
11	380005	2	BRUSH, CARBON (ECM) - 85
12	380064	1	RING, FOAM
13	381020	1	CORD-16GA-3 50FT MED GREY
14	450088	1	SPACER-SWITCH, FOAM
15	710329	8	SCR-MC 8-32 X .50 ZINC
16	710355	2	SCR-MC RD HD 10-32 X .50 ZINC
17	711124	1	SCR-ST-B 10 X .37 NI
18	711126	6	SCR-ST-B 10 X .75
19	711310	2	NUT-HEX 10-32 ST PL
20	711373	4	NUT-NYLOC 1/4-20
21	711502	8	WSR-FLT #8
22	711505	2	WSR-FLT 1/4
23	711519	4	WSR-FLT .25 X 1.01 X .06
24	711552	8	WSR-INT LOCK #8
25	711553	3	WSR-INT LOCK #10
26	711803	2	PIN-COTTER .06 X .75
27	712532	3	SCR-MC 10-24 X 1.00 SS
28	712908	3	NUT-FLANGED WIZZ 10-24
29	715029	1	DECAL-NAME PLATE SERIAL
30	715069	1	DECAL-FILTERS CHECK
31	715102	1	DECAL-P/V HEPA 85
31A	715103	1	DECAL-P/V HEPA 105
31B	715104	1	DECAL-P/V HEPA 130
32	715115	1	DECAL-WARNING PV DRY
33	715501	1	DECAL-MADE IN USA
34	740014	4	QC-14-16G 1/4 FULL INS FEMALE
35	740088	1	SWITCH-VAC LIGHT SENSOR
36	740116-1	1	WIRE ASSY 16G GRN/YEL 14.50"
37	760212	1	VAC SENSOR TUBE
38	760213	1	VENTURI TUBE
39	760896PLT	1	SHROUD, MOTOR PLATED
40	760897PLT	1	MOTOR COVER PLATED P/V
41	760898PLT	1	CAP MOTOR P/V PLATED
42	760899	1	HANDLE BAIL PIC VAC
43	760903	1	MOTOR LID ASY PV HEPA
44	760904	1	BUSHING-SNUB .375 X .469 X .43
45	760905	1	GASKET, FILTER MOUNTING PLATE
46	809754	1	SWITCH-ROCKER
47	828995	2	GASKET-NEOP 2.5X6X.62
48	831478	1	GASKET-NEOP 6 X 7.5 X .37
49	831484	1	GASKET 3.5 X 4.5 X .37
50	831524	1	VACUUM MOTOR, 3-STAGE 115V-130
51	831626	1	GASKET 4 X 7.37 X .250
52	831652	3	SPACER-.264 X .344 X .750 ALM
53	832070	2	CONNECTOR
54	833237	1	STRAIN RELIEF W/ NUT

Tank Assembly - 15 Gallon BOM

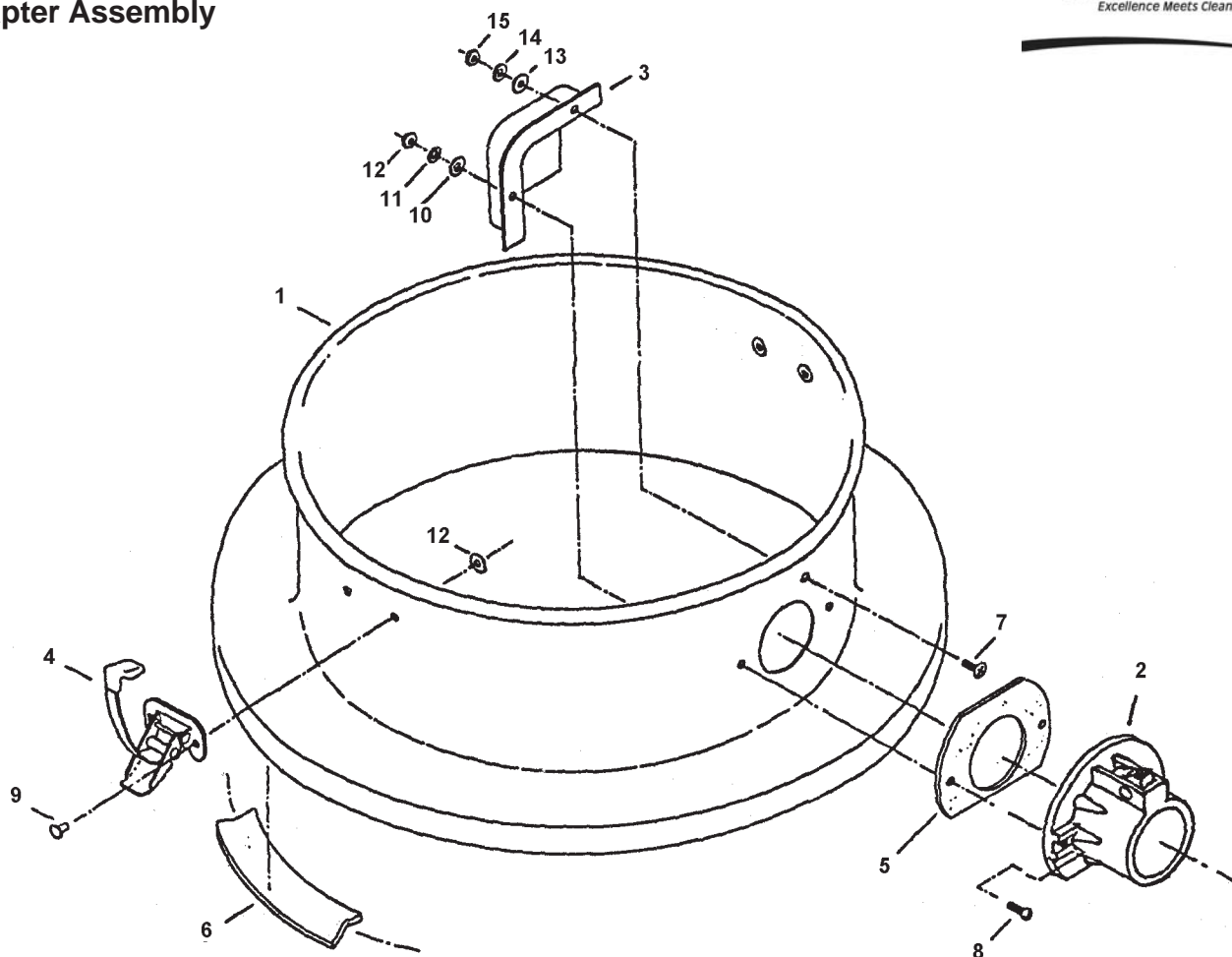


Item	Part No.	Qty.	Description
1	900001PTD	1	Tank, PTD 15 Gal
1A	900003POL	1	Tank, Polished 15 Gal SS
2	711352	2	Nut-Acorn 1/4-20
3	900038	2	Clamp, Handle
4	390001	1	Trigger with Pins
5	761054	2	Latch
6	900037PLT	1	Handle, Plated
7	711310	2	Nut-Hex 10-32 ST PL
8	711543	2	Washer-Helical #10
9	711503	2	Washer-Flat #10
10	711304	1	Nut-Hex 8-32
11	711542	1	Washer-Helical #8
12	711502	1	Washer-Flat #8
13	900035	1	Deflector, Intake
14	390016	1	Molded Downtube, New Style
15	711713	2	Retaining Ring-E Ext
16	710530	1	SCR-MC 8-32 x .5 BR
17	390087	1	Gasket
18	390002	1	Spring
19	390101	1	Intake Aluminum
20	710154	2	SCR-MC 10-32 x .562 SS
21	711915	4	Rivet-Tube .19X.28
22	900033	2	Caster, Swivel
23	711005	4	SCR-SK 1/4-20 x .31
24	711006	6	SCR-SK 1/4-20 x .62
25	760984PTD	1	Bracket, Wheel
26	900066	2	Axle
27	711524	2	Washer-Wave .52 x .87 x .01
28	900040	2	Wheel
29	130032	2	Cap, Retainer
30	711591	4	Washer-Rubber
31	711505	4	Washer-Flat
32	711202	2	Blt-HH 1/4-20 X .50
33	711594	2	Washer-Flat .88 x .03 NI
34	390110	1	Intake Assy Aluminum
***	390013		Molded Adapter 1-1/4
***	390014		Molded Adapter 1-1/2
***	390019		Molded Adapter 2

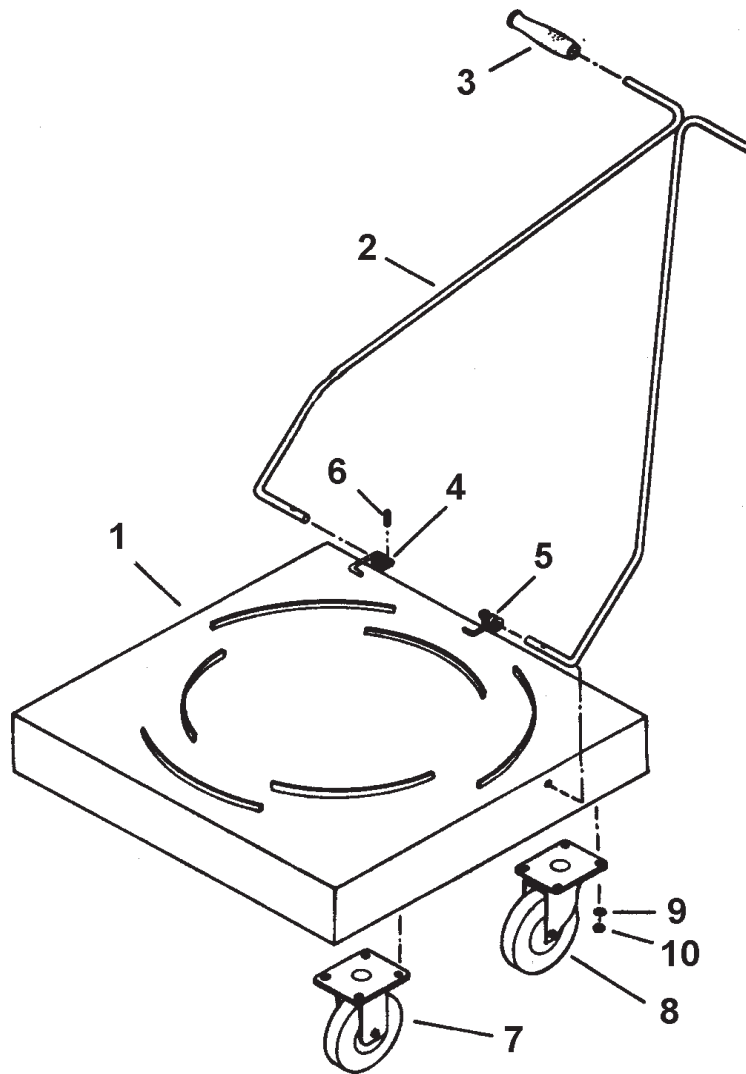


Item	Part No.	Qty	Description
1	900078PTD	1	Tank 30 Gal. PTD Less Handles
1a	900015PTD	1	Tank 55 Gal. PTD No Handles
2	900047	1	Dump Valve
3	900031POL	2	Handle, Tank Polished
4	711203	4	BLT, HH 1/4-20 x .62
5	711591	4	Washer, Rubber
6	711505	4	WSR, Flat 1/4
***	C90007-80		Tank 30 Gal. Complete
***	805037PKG		Drum Liner 30 Gal. Pkg. 12
***	805046PKG		Drum Liner 55 Gal. Pkg. 12

Adapter Assembly

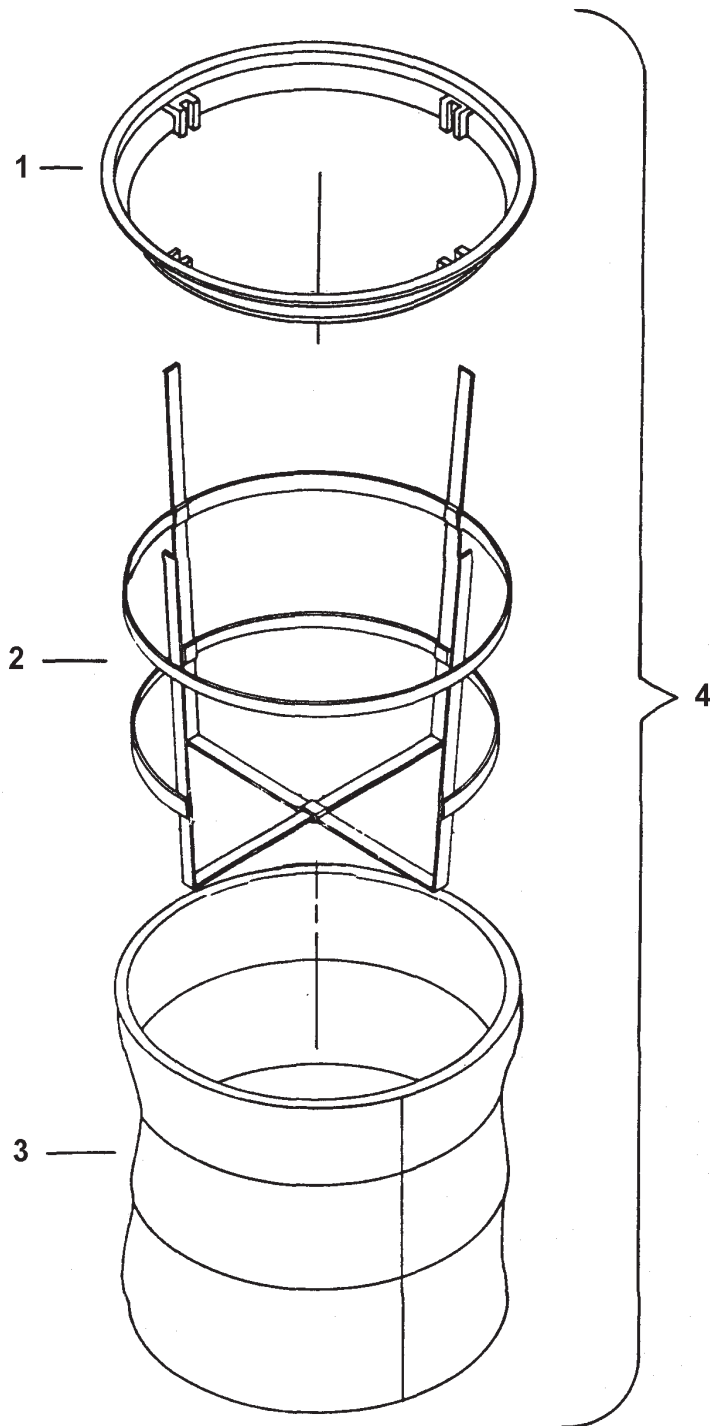


Item	Part No.	Qty	Description
1	806016PTD	1	55 Gal. Adapter Painted
1a	806015PTD	1	30 Gal. Adapter Painted
2	390110	1	Intake Assy Aluminum
3	900035	1	Deflector, Intake
4	761054	2	Latch
5	390087	1	Gasket Diecut Poron Intake
6	806006	1	Gasket, Raw
7	710530	1	SCR-MC 8-32 x .50 BR
8	712824	2	SCR-THMS 10-24 x .75 STPL
9	711915	4	Rivet-Tube .19 x .28 NI PL
10	711503	6	WSR-Flat #10
11	711543	2	WSR-Helical #10
12	712638	2	Nut Hex 10/24 SS Nyloc
13	711502	1	WSR-Flat #8
14	711542	1	WSR-Helical #8
15	711304	1	Nut-Hex 8-32 STPL
****	C80601-70		30 Gal. Adapter Assy.
****	C80601-80		55 Gal. Adapter Assy.



Item	Part No.	Qty	Description
1	750045	1	Weldment dolly 30/55
2	900051	1	Weldment, handle
3	900052	2	Grip, handle
4	900080	1	Spring, torsion RH
5	900081	1	Spring LH
6	711642	2	Rollpin
7	761050	2	Caster, rigid 5"
8	761049	2	Caster, swivel 5"
9	711545	16	WSR, helical Spr Loc 5/16
10	711379	16	Nut-Flanged Wizz 5/16-18
***	900048		Dolly cart complete

Bag Assembly



Item	Part No.	Qty.	Description
1	760131	1	Molded bag ring
2	750097	1	Bag frame
3	805054	1	Cloth bag only
4	805058	1	Bas assy. complete