

Wet/Dry  
Pump Out  
Vacuum

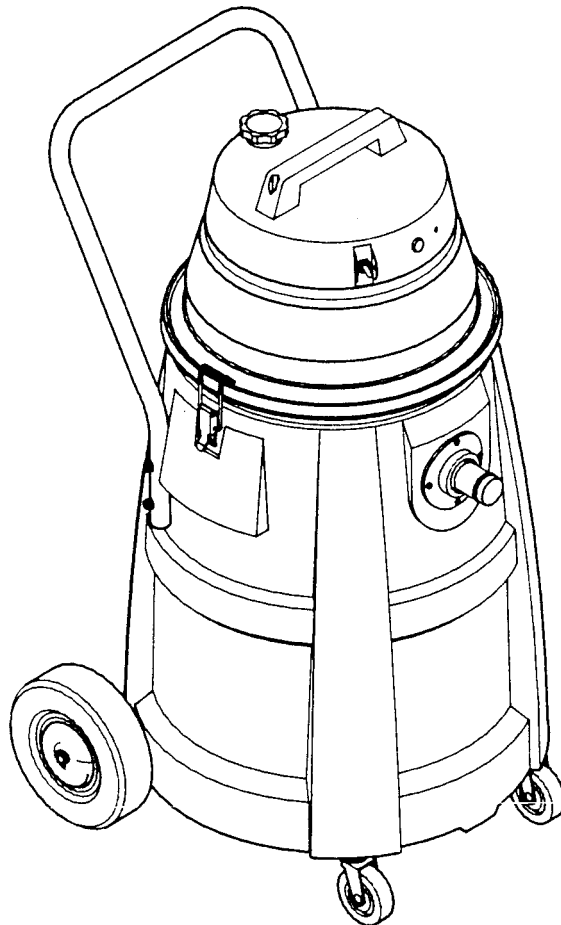
**Model: C39175-05**  
**C39175-06**  
**C39175-15**  
**C39175-20**  
**Optional Squeegee**  
**Assembly: 470400**

**OPERATION**

**SERVICE**


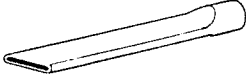
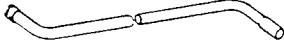

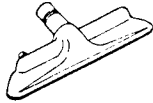



**PARTS**

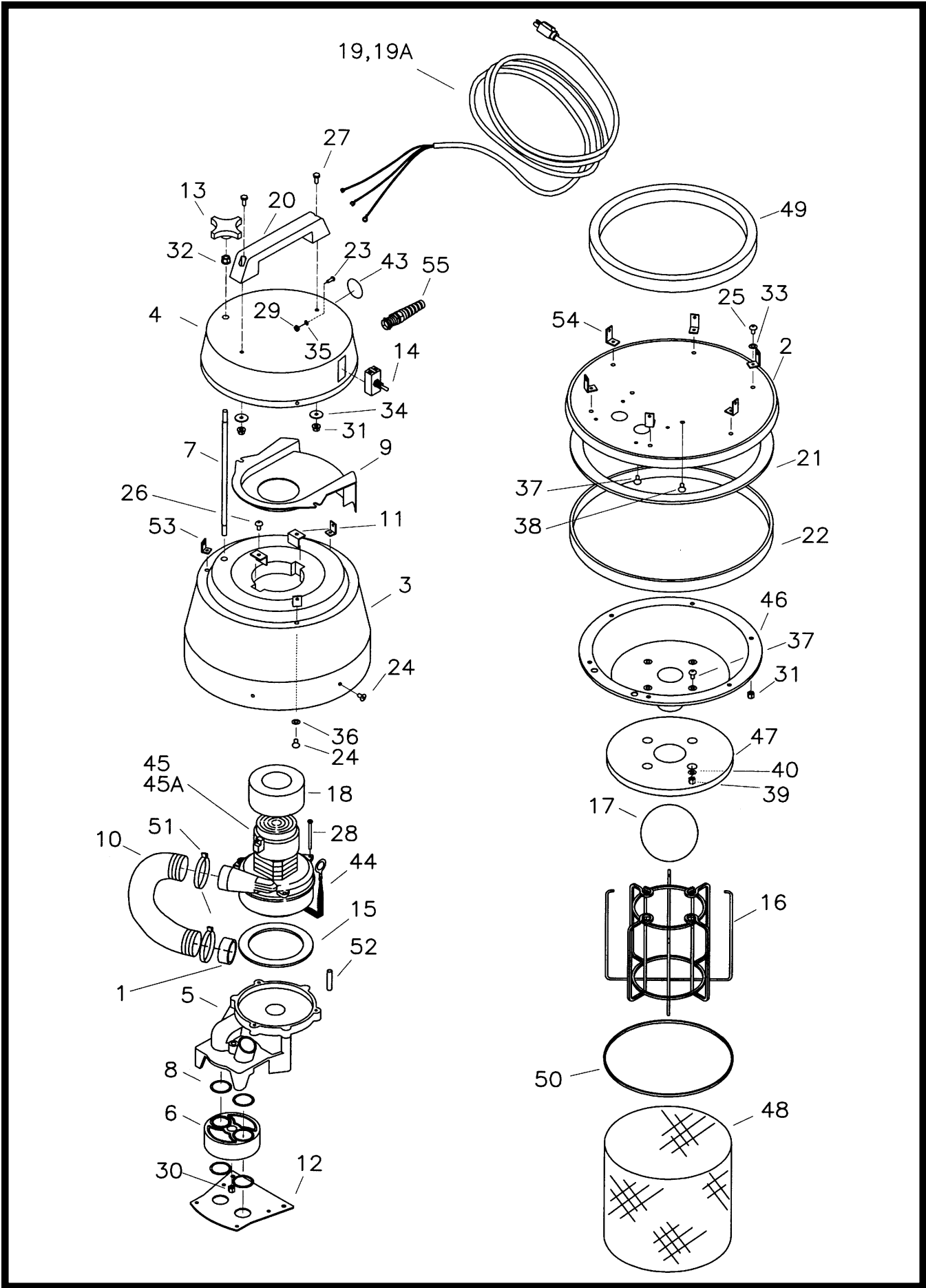
**CARE**



Revised 7/04

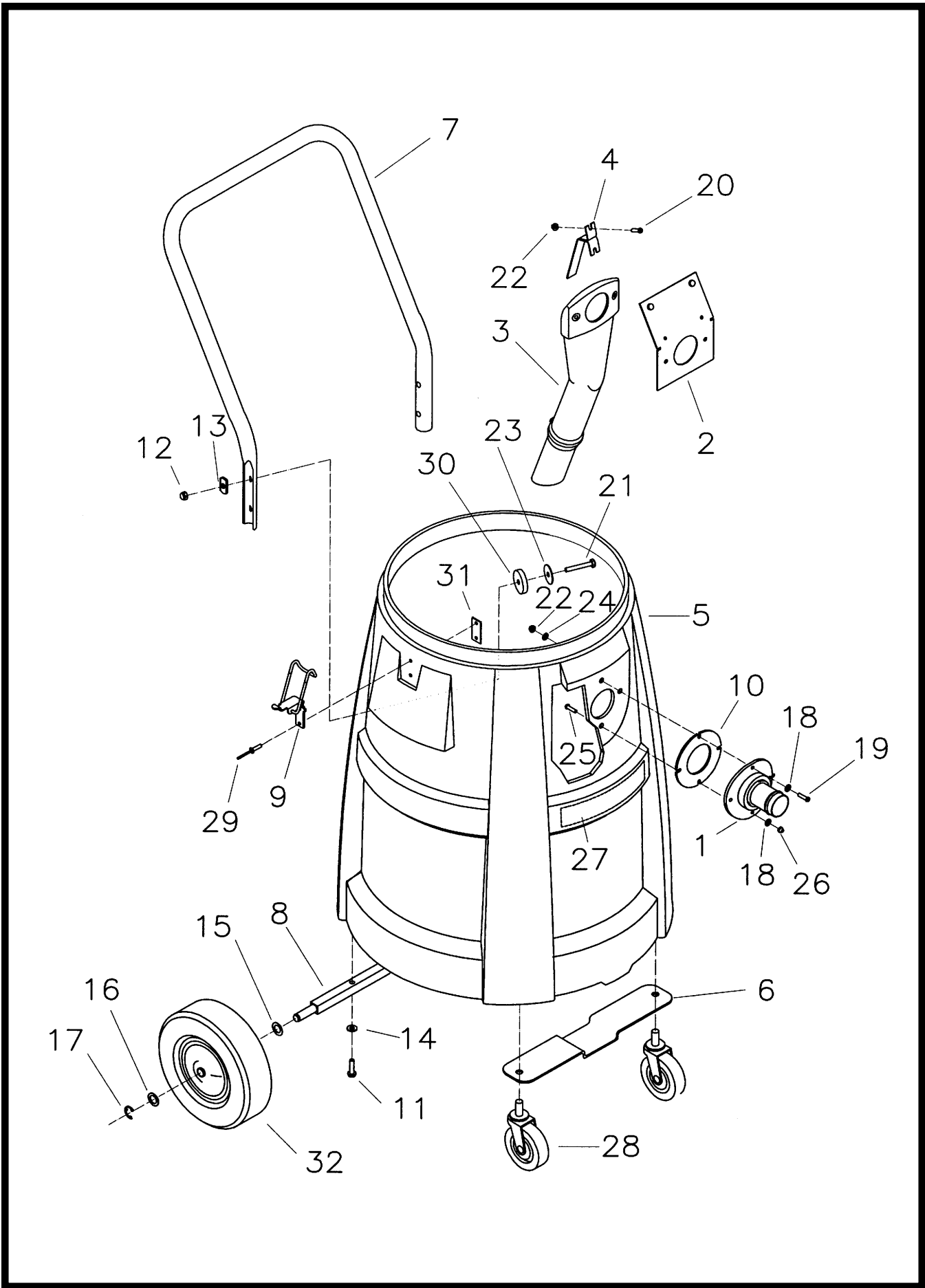
**Minuteman<sup>®</sup>**

<b>A</b>		800083 133249 800084 808023	3" Rd Dust Brush Complete Dust Brush HSG 3" Bristle Insert 3" Adapter
<b>B</b>		800035	12" Crev Tool Complete
<b>C</b>		290000 290001 290002	Wand Asy 1-1/2, Complete Upper Wand Lower Wand
<b>D</b>		832851	Hose Asy 1-1/2 x 10'
<b>E</b>		133214 807237 807214 807374 133217 133215	Spring-2 16" Floor Tool, Complete Nozzie Floor Brush Replacement Screw Adj 712065 Screw-2 Sleeve-2
<b>F</b>		800603 800612 808648 808592 803161	14" Brush Tool Complete Brush Insert Tool Bumper Brush Clamp
<b>G</b>		800124 731	5" Tool Only Without Insert Bristle Insert Replacement
<b>H</b>		800605 711128 800615 808648 500295 500296	14" Squeegee, Complete SCR #10 HILo 14" Retaining Strip Nozzie, Squeegee Blade Squeegee Blade Squeegee Reinforcement



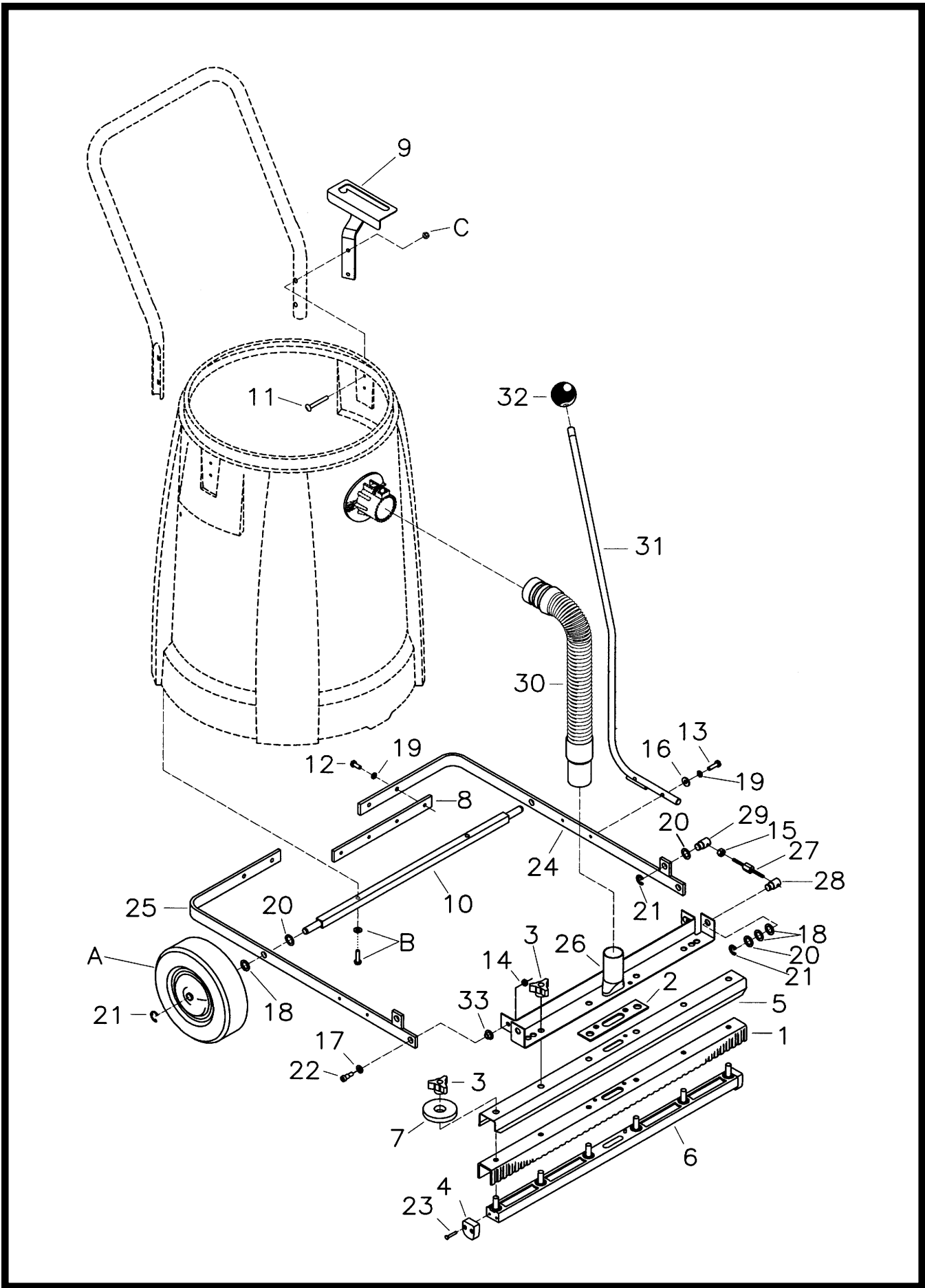
## Parts List

ITEM	PART NO.	REQ'D	DESCRIPTION
1	101015	1	RING,RUB COMPRESS IN/OUT
2	310001PTD	1	LID ASY PUMPER
3	310002PTD	1	MOTOR COVER PUMPER PAINTED
4	310003PTD	1	MOTOR COOLING TOP COVER PAINTED
5	310004MCH	1	VALVE BODY MACHINED
6	310006MCH	1	VALVE PORT MACHINED
7	310007PLT	1	VALVE HANDLE ROD PLATED
8	310008	4	O RING BUNA 2201510561
9	310009	1	INTAKE AIR COOLING DUCT
10	310017	1	MOLDED HOSE PUMPER
11	310031	2	BRACKET PUMPER HOUSING
12	310033	1	WASHER PLATE
13	310034	1	KNOB 3/8 - 16
14	380002	1	SWITCH-TOGGLE 1.5HP, 125-250V
15	380035	1	GASKET, 4.31 X 5.81 X.19
16	380045CTD	1	CAGE FLOAT ASY
17	380046	1	BALL, HOLLOW RUBBER
18	380064	1	RING, FOAM
19	381020	1	CORD-16GA-3 50FT MED GREY
19A	740600	1	CORD-EUROPEAN F3 G1.5MM 50FT B
20	460000	1	HANDLE 460 LID BLACK
21	480052	1	GASKET,RBR .25X.87X.50
22	480053	1	RING, RUBBER LOCATING
23	710154	1	SCR-MC 10-32 X .56 SS
24	710177	9	SCR-MC 1/4-20 X .37 ZINC
25	710178	6	SCR-MC TR HD 1/4-20 X .50 ZINC
26	711124	3	SCR-ST-B 10 X .37 NI
27	711203	2	BLT-HH 1/4-20 X .62
28	711220	3	BLT-HH 1/4-20 X 2.50 STL ZINC
29	711310	2	NUT-HEX 10-32 ST PL
30	711379	1	NUT-FLANGED WIZZ 5/16-18
31	711425	8	NUT-FLANGED WIZZ 1/4-20
32	711439	1	NUT-FLANGED WIZZ 3/8-16
33	711504	6	WSR-FLT 1/4 SS
34	711519	2	WSR-FLT .25 X 1.01 X .06
35	711553	3	WSR-INT LOCK #10
36	711554	3	WSR-INT LOCK 1/4
37	712536	4	SCR-MC 10-24 X .62 SS
38	712565	2	SCR-MC 1/4-20 X .62 SS
39	712667	4	NUT-HEX NYLOC 1/4-20 SS
40	712761	4	WSR-FLT .28 X 1.25 X .059 SS
41	715086	1	DECAL-WARNING PV TO AVOID
42	715161	1	DECAL-VACUUM/PUMP PUMPER
43	715501	1	DECAL-MADE IN USA
44	740116	1	16G GRN/YEL 14.50" B= 9
45	740232	1	VAC MOTOR 2ST 116207-00
45A	740429	1	VAC MOTOR 6594-13 220V
46	750801	1	WATER SHUT OFF ADAPTER
47	760231MCH	1	RING,BAG RETAINING
48	760234	1	BAG, LINT TRAP FILTER 10 X 9 1
49	760235	1	FOAM 1.125 X .75 X 60"
50	760260	1	SPRING-RETAINER BAG
51	760859	2	CLAMP-HOSE
52	809858	3	SPACER-.326 X .375 X 1.750 ALM
53	830782	3	MOUNTING BRACKET LID COVER
54	832106	6	BRACKET MOUNTING TAB
55	833237	1	STRAIN RELIEF W/NUT
***	310115	1	LID ASY COMP PUMPER
***	310240	1	LID ASY COMP PUMPER 240V



## Parts List

ITEM	PART NO.	REQ'D	DESCRIPTION
1	310010	1	INTAKE ASY COMP PUMPER
2	310012	1	RUBBER FLAP DIECUT
3	310016	1	DOWNTUBE ASY 20G PUMPER
3A	310028	1	DOWN TUBE ASY 15G POLY
4	310018	1	DEFLECTOR BRACKET
5	310021	1	TANK 20G POLY PUMP
5A	310026	1	TANK 15G POLY PUMPER
6	310035	1	BACKING PLATE
7	390031	1	HANDLE PLT 390 SERIES
8	390033	1	AXLE 390 SERIES PLATED
9	390035	6	LATCH 390 SERIES COATED
10	390087	1	GASKET DIECUT VNN
11	710182	2	SCR-MC 1/4-20 X 1.00 ZINC
12	711352	4	NUT-ACORN 1/4-20 ST N1
13	711444PLT	4	NUT-WELD 1/4-20 PLATED
14	711505	2	WSR-FLT 1/4
15	711524	2	WSR-WAVE .52 X .87 X .01
16	711594	2	WSR-FLT .56 X .88 X .03 NICKEL
17	711713	2	RET RING-E EXT .50
18	712320	4	WSR .22 X .45 X .04 NYL
19	712532	3	SCR-MC 10-24 X 1.00 SS
20	712537	1	SCR-TR HD 10-24 X .75 SS
21	712541	4	SCR-TR HD 1/4-20 X 1.0 SS
22	712638	2	NUT HEX 10-24 SS NYLOC
23	712761	4	WSR-FLT .28 X 1.25 X .059 SS
24	712764	2	WSR #10 SS
25	712824	1	SCR-THUMB 10-24 X .75 STL ZINC
26	712904	1	NUT-ACORN 10-24 BR NIPL
27	715383	1	DECAL-MMAN 1 X 6.88 LT GRY
28	804457	2	CASTER 3" BLACK HUB/GREY TIRE
29	828894	4	RIVET-POP BAPKTR-69
30	828980	4	GASKET
31	833831	6	CLAMP BACK PLATE
32	900008	2	8.00 DIA. WHEEL
***	310015	1	TANK ASY 15GRC MMAN PUMPER
***	310020	1	TANK ASY 20GRC MMAN PUMPER



## Parts List

ITEM	PART NO.	REQ'D	DESCRIPTION
1	11-145	1	SQUEEGEE/GUM RUBBER
2	430073	1	GASKET DIECUT PS BACK
3	430074	6	NUT-ADJUSTING 17B/E
4	430076	2	NYLON SQUEEGEE INSERT
5	430078	1	U PROFILE
6	430079	1	CASTING SQUEEGEE ASY
7	430085	2	SQUEEGEE BUMPER WHEEL
8	470001	1	BRACE REAR
9	470005	1	LEVER LOCK ASY
10	470007	1	AXLE SQUEEGEE ASY
11	710389	2	SCR-MC 1/4-20 X 2.00 ZINC
12	711203	4	BLT-HH 1/4-20 X .62
13	711206	2	BLT-HH 1/4-20 X .87 STL ZINC
14	711377	2	NUT-NYLOC 1/4-20
15	711420	2	NUT-HEX JAM 5/16-18 STPL
16	711505	2	WSR-FLT 1/4
17	711506	2	WSR-FLT 5/16 (NARROW) ST PL
18	711524	6	WSR-WAVE .52 X .87 X .01
19	711544	6	WSR-HELICAL 1/4
20	711594	6	WSR-FLT .56 X .88 X .03 NICKEL
21	711713	6	RET RING-E EXT .50
22	712041	2	BLT-SHOULDER 1/4-20 X .44 X .3
23	712517	4	SCR-MC FL HD 8/32 X 1 SS
24	750137	1	BRACKET ARM SQUEEGEE ASY LEFT
25	750138	1	BRACKET ARM SQUEEGEE ASY RT
26	750139	1	SQUEEGEE MOUNTING BRACKET ASY
27	750689	2	STUD,ADJUSTING
28	762256PLT	2	NUT ADJ LH ZINC PLT
29	762257PLT	2	NUT ADJ RH ZINC DICROMATE
30	762382	1	VAC HOSE ASY LITTLE GULP
31	807384	1	ROD HANDLE
32	807385	1	KNOB-HANDLE
33	829052	2	BUSHING-FLG .312 X .437 X .31
A	900008	2	WHEEL-8.00 DIA.
B	710182, 711505	2	SCR-MC 1/4-20 X 1.00, WSR-FLT 1/4
C	711352	4	NUT-ACORN 1/4-20 ST N1

## Installation Instructions

### 470400 Squeegee Assembly

1. Turn existing tank upside down and remove both wheels (A) by removing snap ring (21) from existing axle.
2. Remove screws (B) from existing axle and remove old axle.
3. Re-install wheels onto new axle assembly with new E clip provided.
4. Install new axle-squeegee assembly to bottom of tank using existing screws (B) and tighten securely.
5. Turn tank assembly right side up and remove washers and nuts (C) from handle assembly. Mount item (9) over existing bolts. Use lockwasher and nut to tighten item (9) securely in place.
6. Slide item (31) through item (9) and mount lift arm to item (24) with bolts supplied.

### Adjustments

1. Angle of squeegee assembly can be adjusted if needed by loosening nut (15) and turning item (27). Both sides may need adjusting so that squeegee blade is parallel to floor in down position.
2. For 15 gallon units only; vac hose assembly item (30) should be shortened by 4 inches to remove excess length.