

240X Floor Scrubber Battery

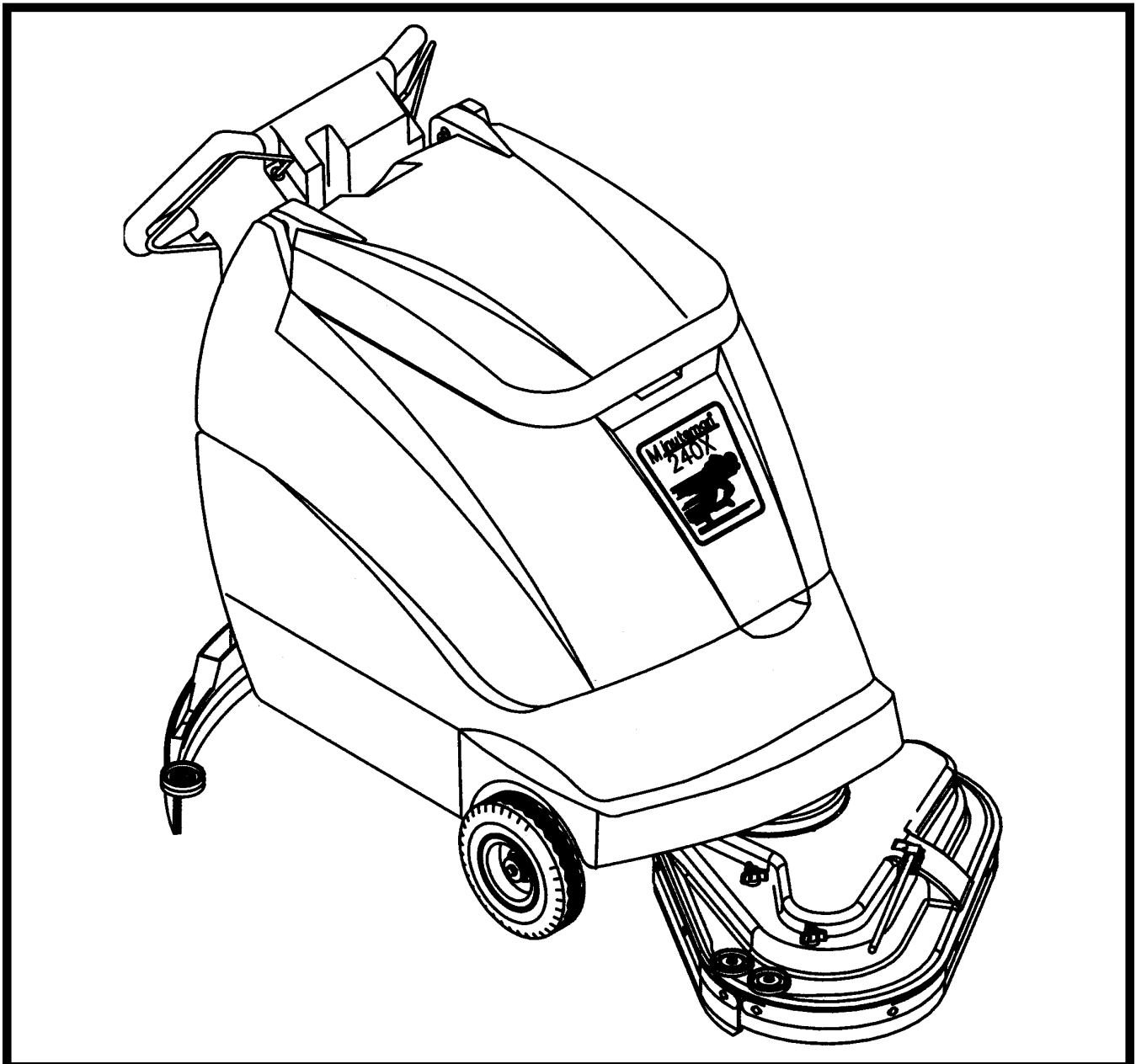
Model:
MC240024QP, CE

OPERATION

SERVICE

PARTS

CARE



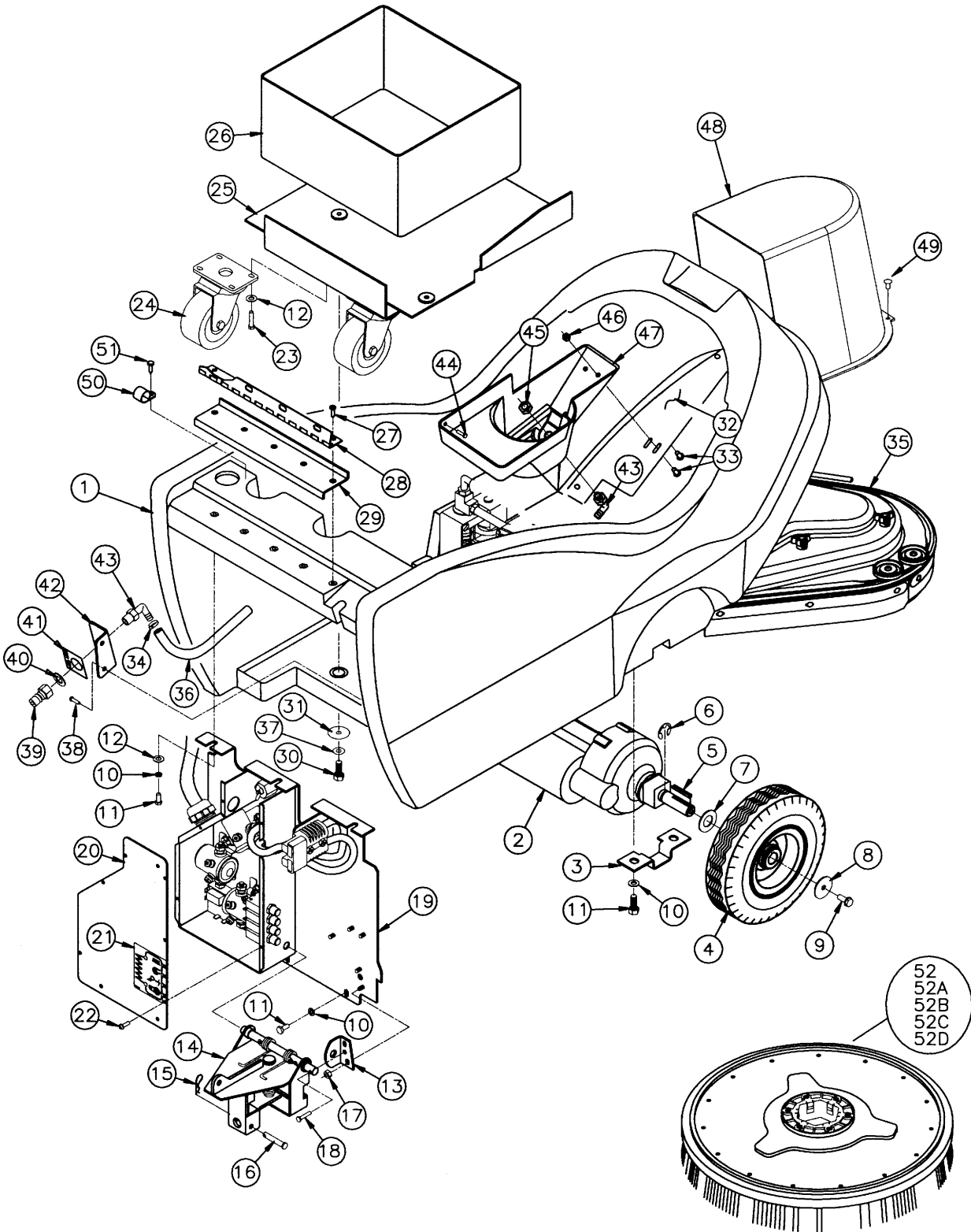
Revised 11/03

Minuteman[®]

Table of Contents

Electrical Requirements	1
Control Panel Identification	2
Operating Instructions	3
Squeegee Adjustments	4
Brush Installation/Removal	5
Base Assembly	6 - 9
Tank Assembly	10 - 11
Upper Assembly	11
Console Assembly	12
Motor Lift Assembly	13 - 14
Scrudhead Assembly	15 - 16
Casting Assembly	17
Motor Assembly	18
Dashboard & Back Panel Assembly	19
Squeegee Lift & Squeegee Mechanism	20
Plastic Housing Assembly	21
Squeegee Assembly	22
Wiring Diagram, Standard	23 - 24
Wiring Diagram, CE	24 - 25
Warranty	Back Cover

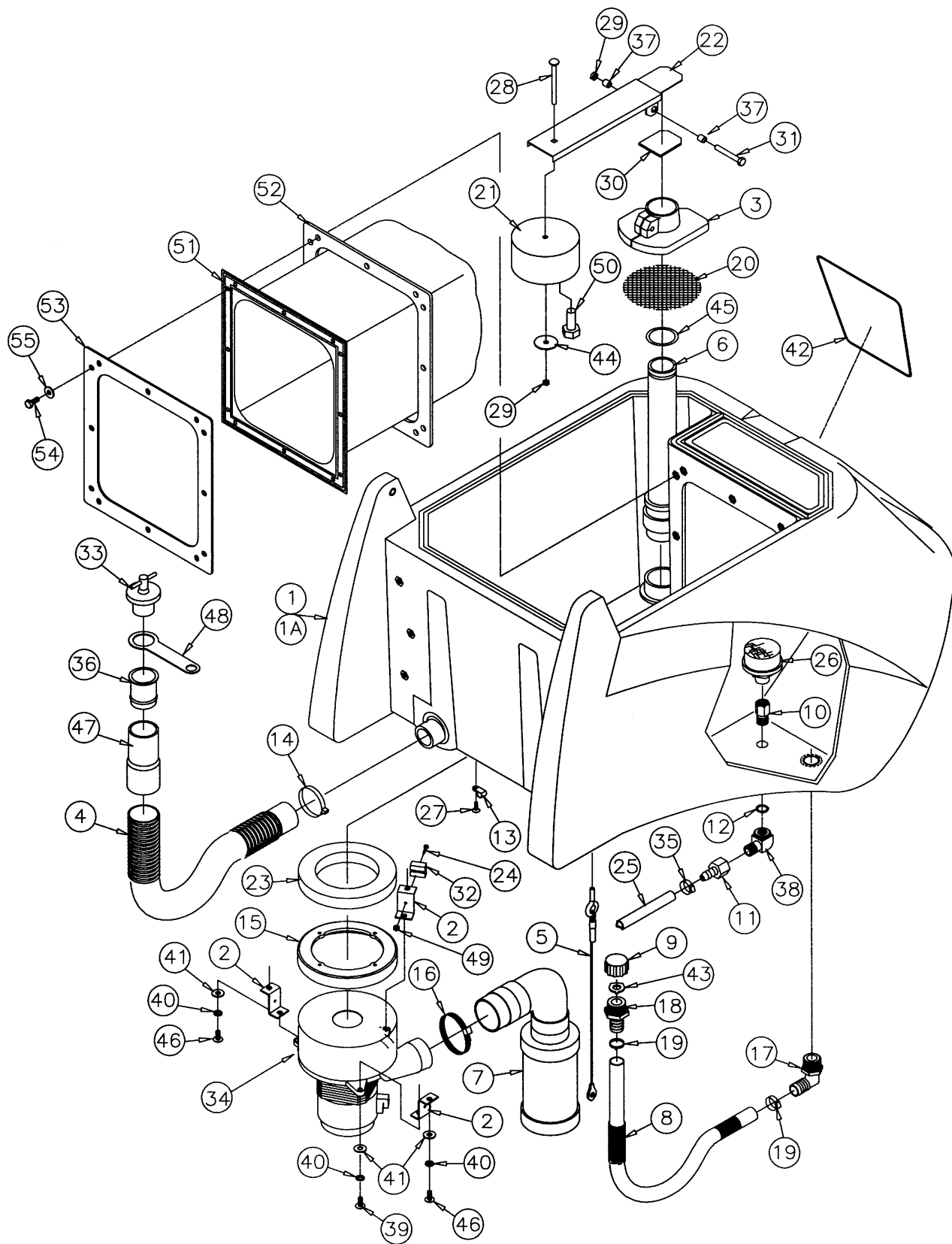
BASE ASSEMBLY



Parts List

Item	Part No.	Qty.	Description
1	200102	1	Base
2	743506	1	Transaxle 24V
3	200126	2	Transaxle Mount
4	200172	2	Tire, Pneumatic
5	361233	2	Key 3/16 sq. x 1.50
6	809148	2	E-Ring 3/4
7	712318	2	WSR-Flat 3/4 x 1.12 x .12
8	712759	2	WSR-Flat 5/16 x 1.37 x .06 SS
9	712042	2	Bolt-WSR HH 5/16-18 x .62
10	711544	19	WSR-Helical 1/4
11	711203	19	BLT-HH 1/4-20 x .62
12	711505	11	WSR-Flat 1/4
13	200158	1	Pin Bracket
14	200153	1	Squeegee Mechanism Assy.
15	711808	1	Cotter Pin
16	210415	1	Clevis Pin 5/16
17	260183	3	Nut 1/4 NPT Nyloc
18	712564	1	Bolt-HH 1/4-20 x 1 SS
19	200175	1	Back Panel Assy.
20	200154	1	Electrical Box Cover
21	715286	1	Decal, CB
22	711125	4	SCR-ST-B #10 x 1/2
23	713002	8	BLT-HH 1/4-20 x .75
24	200345	2	Caster, 3 1/2"
25	200125	1	Battery Tray Weldment
26	210048	1	Battery Liner
27	712565	5	SCR-MC 1/4 - 20 x .62 SS
28	200145	1	Hinge
29	200146	1	Hinge Plate
30	711228	4	Bolt-HH 5/16-18 x 3/4
31	711507	4	WSR-Flat .37 x 1.12 x .06
32	200233	1	Bottom Cover
33	712822	3	SCR-THMS 10-24 x 1/2
34	450076	2	Crimp Clamp 185R SS
35	200500	1	Scrubhead Asm 240X
36	200236	1	Auxilliary Hose 48.50
37	711545	4	WSR-Helical 5/16
38	711161	2	Hi/Lo Screw #10 x 3/4
39	828368	1	Male Coupler BH2-61
40	711594	1	WSR-Flat .56 x .88 x .03
41	715144	1	Decal Aux Pump
42	200237	1	Quick Disconnect Bracket
43	833325	2	Barb 90° Elbow 3/8 x 1/4 NPT
44	711160	1	SCR Hi/Lo #10 x 5/8
45	260183	1	Nut-Nylon 1/4 NPT
46	712908	3	Nut-Wizz 10-24
47	200318	1	Reservoir
48	200523	1	240X Motor Cover
49	710178	2	SCR-MC 1/4-20 x .50 Truss
50	82-54-A	1	Clamp
51	711106	1	SCR-ST-A 10 x .75 PL
52	260002-1	2	Pad Driver, No Riser
52A	260003	2	Bassine Brush
52B	260004	2	Nylon Brush
52C	260005	2	Poly-Grit Brush
52D	260006	2	Strata-Grit Brush

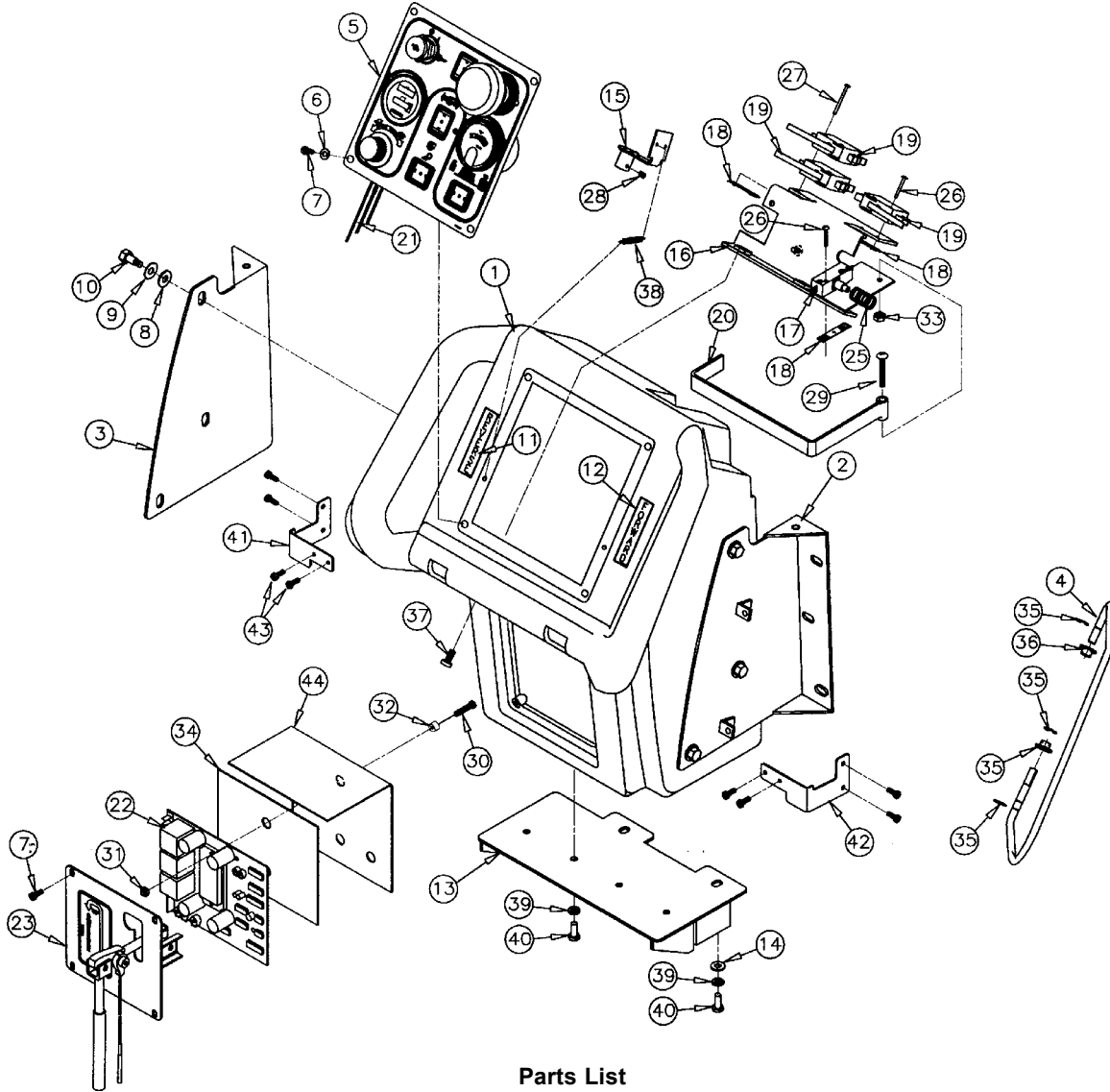
TANK ASSEMBLY



Parts List

Item	Part No.	Qty.	Description
1	200101MCH	1	Sol/Rec Tank
2	200147	3	Bracket, Vac Motor
3	200173	1	Float, Housing
4	210122	1	Drain Hose, Wirelock
5	200232	1	Cable, Tank
6	200251	1	Stand Pipe Assembly
7	200258	1	Muffler Assembly
8	200270	1	Hose, 3/4 Solution Drain
9	200023	1	Garden Hose Cap
10	210409	1	Fitting, Brass 3/8MPT
11	210410	1	Fitting, Brass 3/8FPT
12	210414	1	"O" Ring 2-113
13	250038	3	Retainer Clip
14	260203	1	Hose Clamp, 102120 Murray
15	290017	1	Gasket, Molded, Vac Motor
16	760859	1	Clamp-Hose
17	383321	1	Elbow 3/4MPT 3/4BARB PP
18	200022	1	3/4" MGHT x Hose Barb
19	829129	2	Clamp, Crimp 3/4 Hose
20	430050	1	Filter Screen
21	260155	1	Foam Float
22	200320	1	Shut Off Weldment
23	460019	1	Gasket 3.75 x 5.75 x .75
24	710207	1	SCR-MC 6-32 x .87 ST PL
25	200234	2	Solution Hose
26	130118	1	Solution Strainer
27	712540	3	SCR-MC #10-24 x .375 SS
28	712574	1	CR Bolt SS 1/4-20 x 3"
29	712667	2	Nut-Hex 1/4-20 SS Nyloc
30	200321	1	Gasket, Shut Off
31	712568	1	SCR-MC 1/4-20 x 2.25 SS
32	832996	1	Terminal Black 2 Pole VDE
33	833316	1	Drain Plug
34	740225	1	Vac Motor 6515-13 24V
35	760245	2	Hose Clamp 62P24
36	760343	1	Tube Hose 24/32B
37	762384	2	Bushing .277 x .375 x .37 SS
38	830062	1	Fitting Brass 90 3/8MPT
39	710180	3	SCR-MC 1/4-20 x .75
40	711544	6	Lockwasher-Helical 1/4
41	711505	6	Washer 1/4
42	715295	1	Decal, 240X
43	200024	1	Black Vinyl Washer
44	712759	4	WSR-Flat .31 x 1.37 x .06 SS
45	310008	1	O-Ring (included in 200251)
46	712565	3	SCR-MC 1/4-20 x .625 SS
47	805613	1	Hose Cuff, Grey Vinyl
48	320269	1	Strap, Drain Plug Retaining
49	711301	1	Nut-Hex 6-32 ST PL
50	712010	2	BLT-Hex 1/2-13 x 1.25 STL Zinc
51	200106	1	Bladder Bag
52	200267	1	Gasket, Bladder
53	200189	1	Frame, Bladder
54	712562	12	SCR-MC HH 1/4-20 x .75 SS
55	711504	12	Washer 1/4 SS

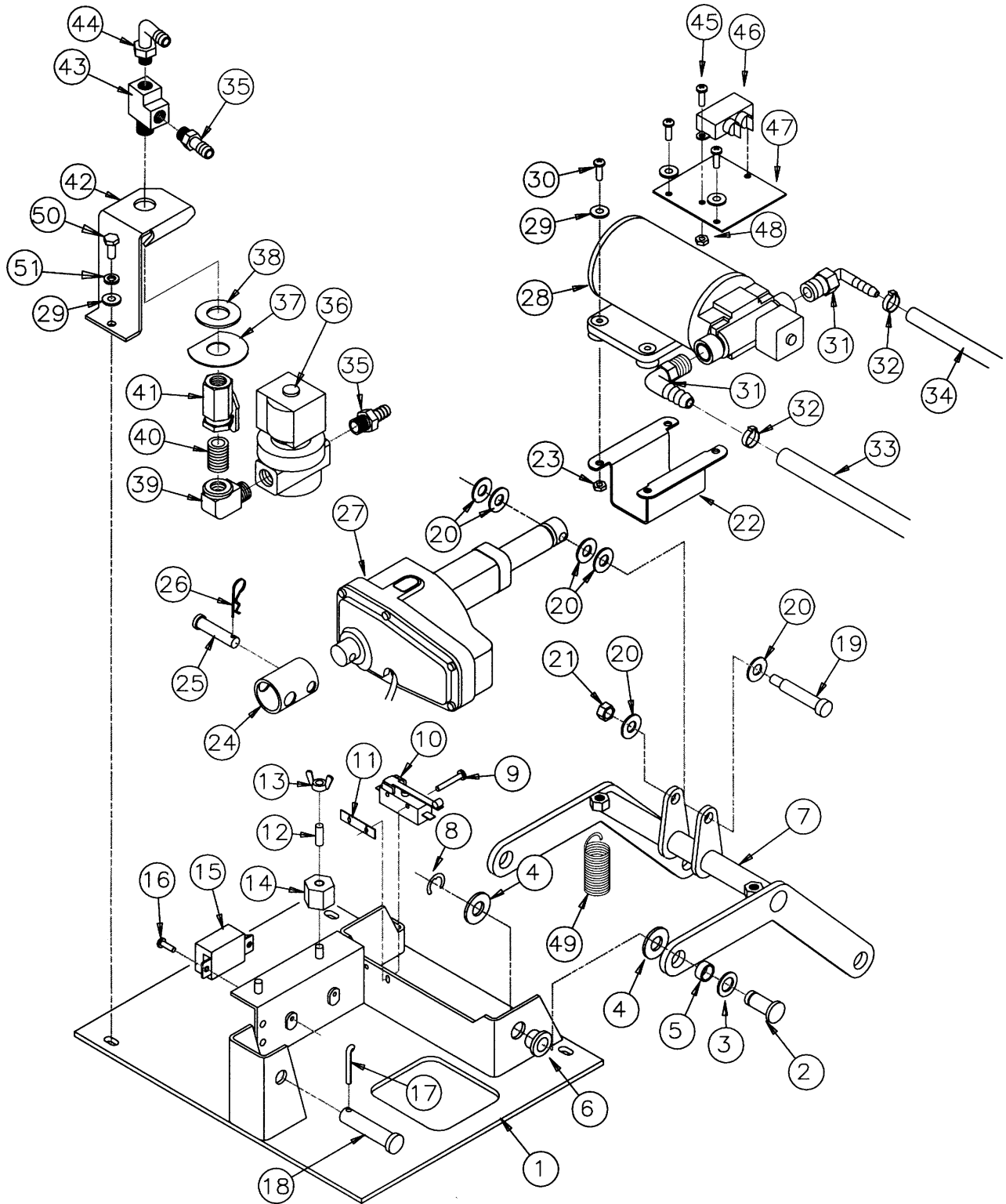
CONSOLE ASSEMBLY



Parts List

Item	Part No.	Qty.	Description	Item	Part No.	Qty.	Description
1	200104MCH	1	Console Machined	23	200240	1	Squeegee Lift Assy.
2	200134	1	Console Bracket Right	24	200241	1	Squeegee Lift Cable
3	200135	1	Console Bracket Left	25	670093	1	Spring, Compression
4	200181CTD	2	Handle Wire, Coated	26	710307	4	SCR-MC 6-32 x 1.00 ST PL
5	200295	1	Dashboard Assy.	27	710312	2	SCR-MC 6-32 x 1.75 ST PL
6	712320	4	WSR-Nylon .22 x .45 x .04	28	711004	2	SCR-SK 1/4-20 x .25 SS
7	712540	8	SCR-MC #10-24 x .37 SS	29	712569	1	SCR-MC 1/4-20 x 1.50 SS
8	711575	6	WSR-Flat .31 x .75 x .06	30	710534	2	SCR-MC #8-32 x 1"
9	711545	6	WSR-Helical 5/16	31	711372	2	Nut, Nyloc #8-32
10	711228	6	Bolt-HH 5/16-18 x .75	32	200340	2	Spacer, S-C Board
11	715258	1	Decal, "Reverse"	33	829052	1	Nut, Hex 1/4-20
12	715257	1	Decal, "Forward"	34	805637	1	SCR Insulator
13	200151	1	Hinge Bracket Weldment	35	711721	6	Retaining Ring .312
14	711505	2	WSR-Flat 1/4	36	829052	4	Bushing Flanged, Nylon
15	200338	2	Cam Weldment	37	710180	2	SCR-MC 1/4-20 x 1"
16	200184	1	Switch Bracket Weldment	38	220324	2	Spring
17	742472	1	Switch, McGill NC	39	711544	6	WSR-Helical 1/4
18	711430	3	Nut-Tinnerman 6-32	40	711203	6	Bolt-HH 1/4-20 x .62
19	833329SA	3	Switch, Staggered Action	41	200039	1	Bail Stop (RH)
20	200190CTD	1	Lever, Switch, Coated	42	200040	1	Bail Stop (LH)
21	743240	1	Harness, 200 Console	43	711160	8	Screw Hi-Lo #10 x 5/8 PL
22	740944-1	1	Speed Control, 24V 1203A225	44	260210	1	Moisture Guard SCR 260TD

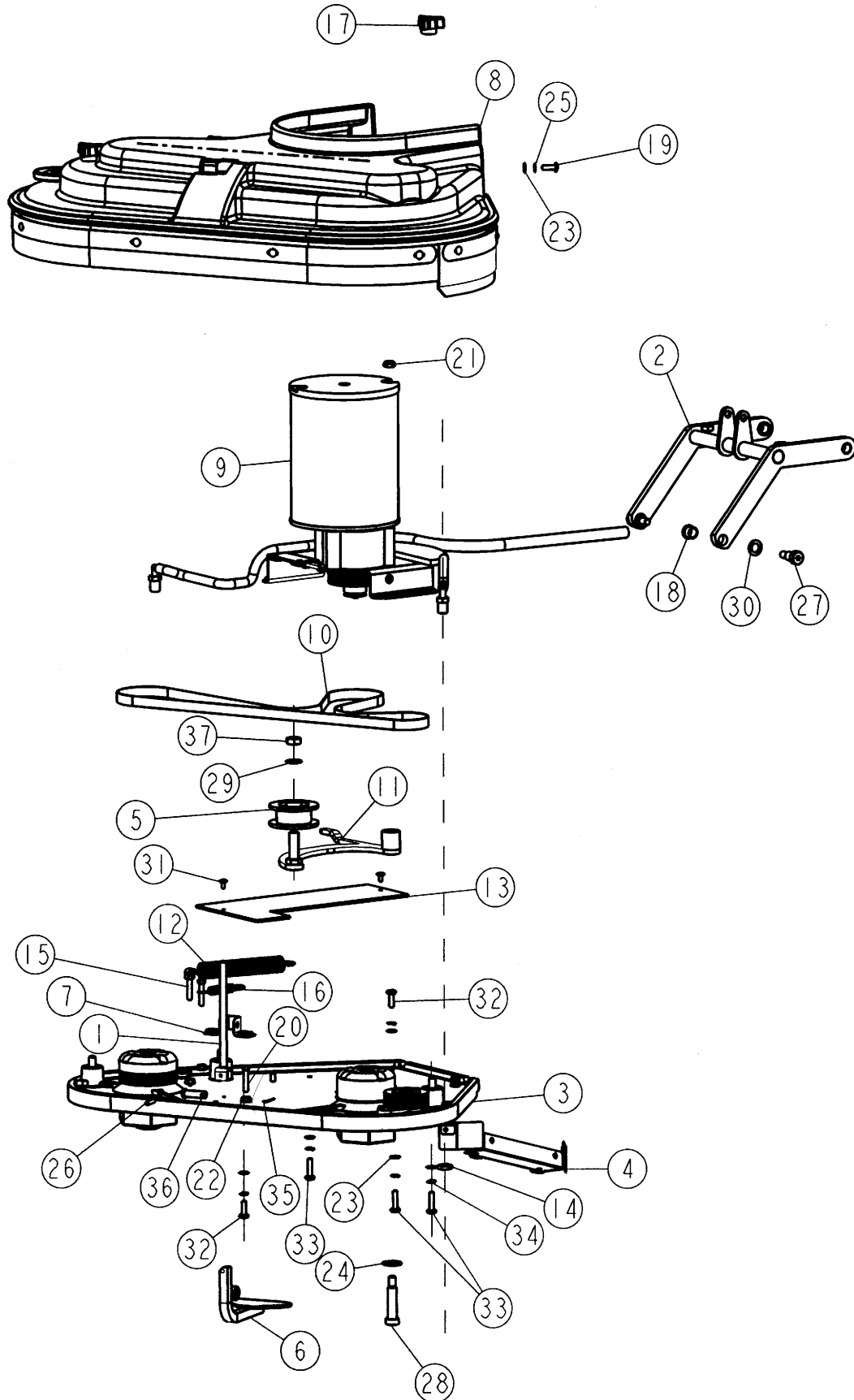
MOTOR LIFT ASSEMBLY



Parts List

Item	Part No.	Qty.	Description
1	200249	1	Base Plate Weldment-Deluxe
2	260036	2	Pin Retainer
3	712310	2	WSR-Flat .52 x .88 x .06
4	711527	4	WSR-Flat 5/8 x 1/12 x .12
5	762340	2	Oilite Bushing 1/2
6	260041	2	Oilite Flanged Bushing 1/2
7	200509	1	Lift Arm Weldment-Deluxe
8	711713	2	E-Ring 1/2
9	710207	2	SCR-MC 6-32 x .87
10	740128	1	Microswitch
11	711430	1	Tinnerman Clip
12	833638	2	Brass Stud
13	711368	2	Wing Nut
14	740132	2	Insulator Glastic
15	743032	1	Terminal Block
16	712822	2	SCR-THMS 10-24 x 1/2
17	711807	1	Cotter Hair Pin
18	711672	1	Clevis Pin 1/2
19	712126	1	Shoulder Bolt 5/16 x 1.75
20	711515	6	WSR-Flat .406 x .81 x .063
21	711374	1	Nut-Nyloc 5/16-18 SS
22	200174	1	Pump Mounting Bracket
23	712638	4	Nut-Nyloc 10-24 SS
24	200248	1	Pivot Tube
25	831965	1	Clevis Pin 3/8 x 1.63
26	711808	1	Cotter Pin
27	743503	1	Actuator
28	833299	1	Pump 100 PSI 24VDC
29	711505	5	WSR-Flat 1/4
30	712532	4	SCR-MC 10-24 x 1 SS
31	833325	2	Elbow 3/8 Barb x 1/4NPT
32	450076	2	Crimp Clamp 185R
33	200282	1	Hose Pump Inlet
34	200281	1	Hose Pump Outlet
35	342430	2	Fitting 3/8 Barb x 3/8 MPT
36	743505	1	Water Solenoid 24V
37	829463	1	WSR-Flat SS
38	828975	1	WSR-Neoprene .75 x 1.5 x .09
39	830062	1	3/8 Street 90 Brass
40	383332	1	3/8 Closed Nipple
41	809413MCH	1	Solution Valve Machined
42	200259	1	Valve Bracket
43	210408	1	Fitting Brass Tee 3/8 NPT
44	450040	1	Elbow 3/8 Barb x 3/8 MPT
45	710329	2	SCR-MC 8-32 x .5
46	742391	1	RFI Fliter
47	200335	1	RFI Bracket
48	711372	2	Nut-Nyloc 8-32
49	760594	2	Spring, Extension
50	711206	1	BLT-HH 1/4-20 x .87 STL Zinc
51	711544	1	WSR-Helical 1/4

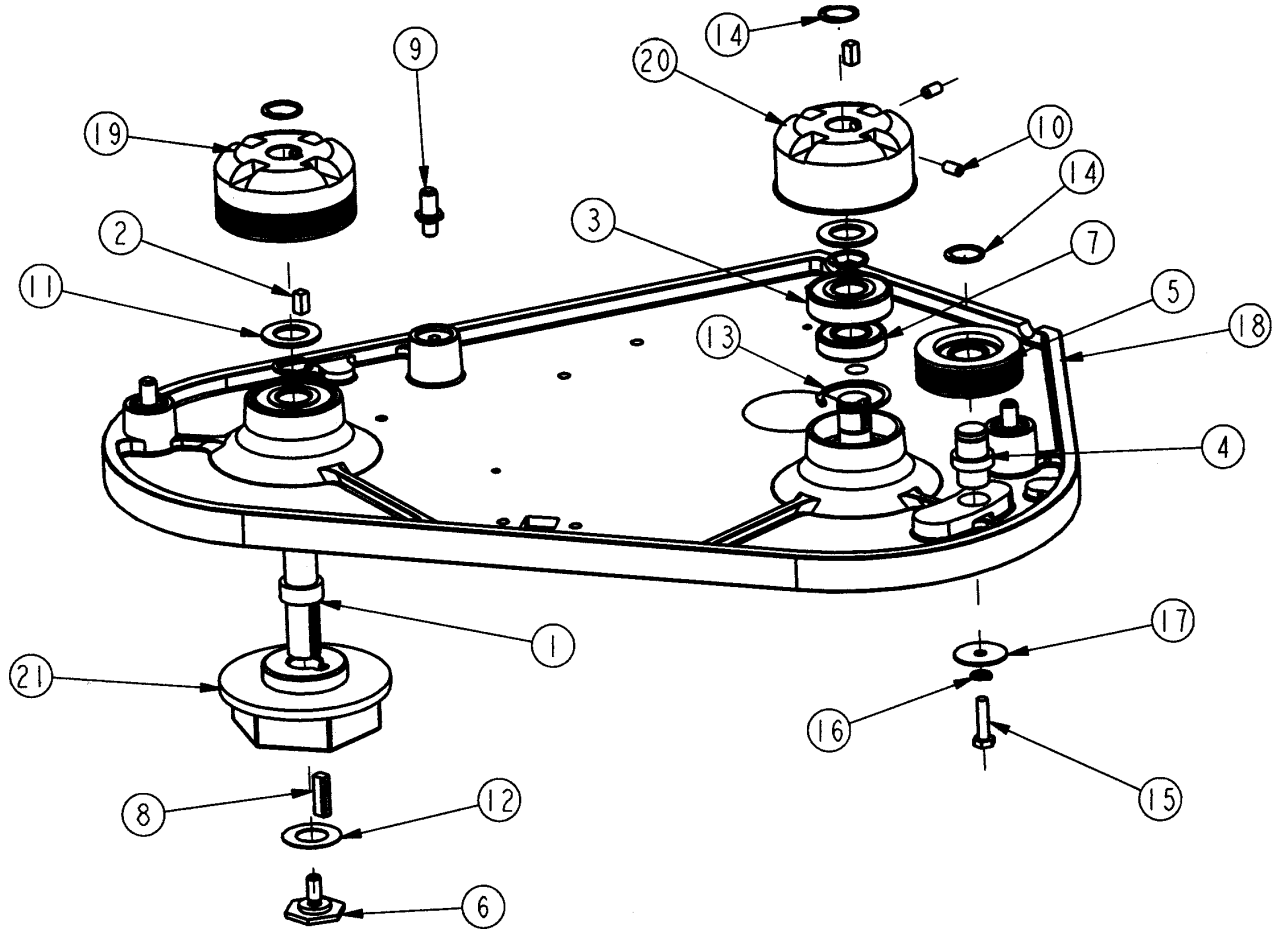
SCRUBHEAD ASSEMBLY



Parts List

Item	Part No.	Qty.	Description
1	200038	1	Handle Shaft Weldment
2	200509	1	240X Lift Weldment
3	200525	1	Scrubdeck Casting Assy
4	200530	1	Spring Mount
5	200531	1	Belt Idler w/Bushing
6	200545	1	Brush Release Lever Weldment
7	200548	1	Bracket, Brush Release
8	200570	1	Cover Assy - 240X Scrubdeck
9	200574	1	Brush Motor Assy, 240X
10	200579	1	Belt, Brush Drive
11	200586	1	Idler Arm Weldment
12	200588	1	Extension Spring .875 OD x 6.00
13	200589	1	Idler Arm Liner
14	260183	2	Nut 1/4 Npt Nylon, Half
15	260292	1	Swing Bolt 1/4-20
16	430051	1	Return Spring 3.00"
17	430074	3	Adjusting Nut 17B/E
18	670117	2	Oilite Flanged Bushing
19	710180	2	SCR-MC 1/4-20 x .75 TR HD
20	711210	2	BLT-HH 1/4-20 x 1.25 STPL
21	711375	1	Nut-Nyloc 3/8-16 x 1/2 Nut
22	711425	3	Nut, Hex 1/4-20 Wiznut
23	711504	10	WSR-Flat 1/4 ID SS
24	711509	1	WSR-Flat 1/2 (.54 x 1.082 x .087)
25	711564	2	WSR-External Lock 1/4
26	711642	1	Roll Pin .187 x 1.00
27	712122	2	BOLT-SHLDR 1/2 x 5/8
28	712132	1	BOLT-SHLDR 1/2 x 1-3/4"
29	712301	1	WSR-Flat .87 x .38 x .06
30	712310	2	WSR-Flat .52 x .87 x .06 PL
31	712540	2	SCR-MC 10-24 SS TH
32	712562	4	BLT-HH 1/4-20 x 3/4 SS
33	712564	4	BLT-HH 1/4-20 x 1.00 SS
34	712758	8	WSR-Helical 1/4 SS
35	809311	1	Pin Cotter 7/64 Dia x 1
36	833833	1	Clevis Pin
37	364-816	1	1/2-13 Nyloc Half Nut

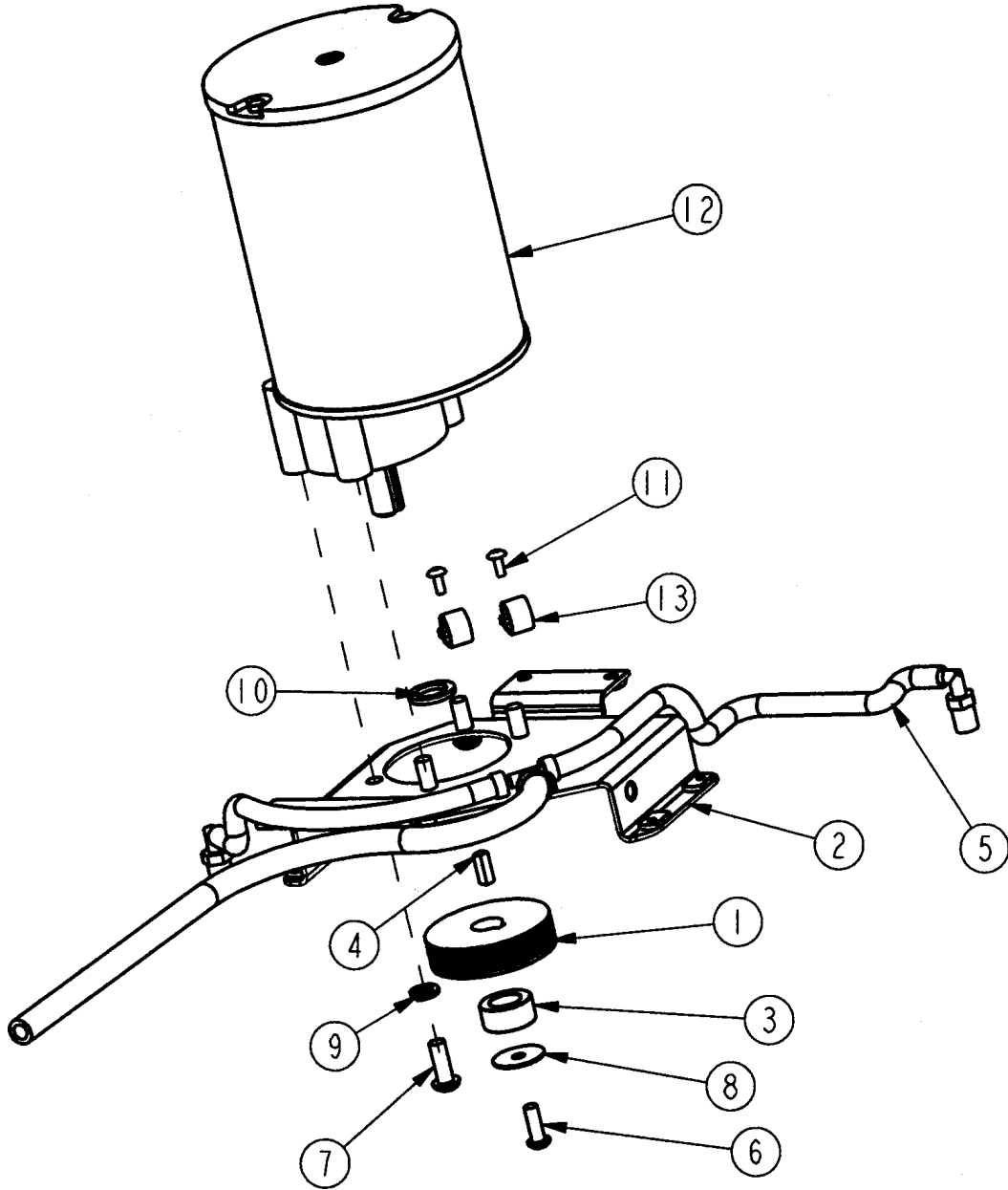
CASTING ASSEMBLY



Parts List

Item	Part No.	Qty.	Description
1	200514	2	Shaft Driven
2	200527	2	Key 1/4 x 1/4 x 1/2
3	200532	2	Bearing
4	200566	1	Idler Pin
5	200578	1	Pulley Bearing Assy
6	210066	2	Drive Hub Retainer Bolt
7	250016	2	Bearing
8	833621	2	Key 1/4 x 1/4 x 1.00
9	430075	3	Threaded Insert
10	711016	4	SCR-SK 1/4-20 x .50 - Cup Pt Set SCR
11	711512	2	WSR-Flat .75 x 1.37 x .08
12	711517	2	WSR-Flat .75 x 1.375 x .09 SS
13	711702	2	Retaining Ring, Int. 1.62
14	711715	5	Retaining Ring, Axt 1.00
15	712564	1	Bolt-HH 1/4-20 x 1.00 SS
16	712758	1	WSR-Helical 1/4 SS
17	712761	1	WSR-Flat .28 x 1.25 x .059SS
18	200501MCH	1	240X Scrubdeck Casting
19	200557MCH	1	Drive Pulley
20	200558MCH	1	Drive Pulley
21	430035	2	Drive Hub

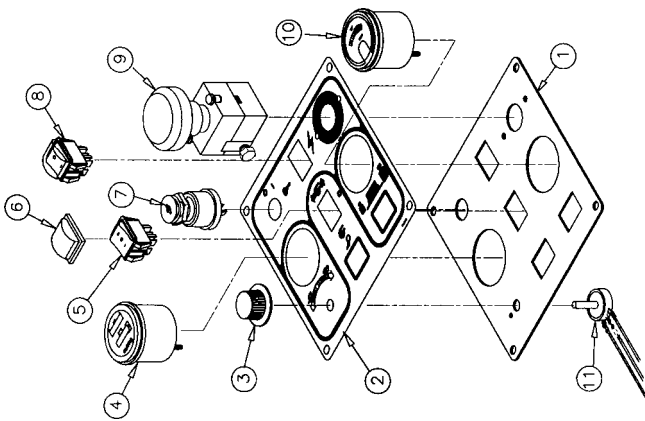
DRIVE MOTOR ASSEMBLY



Parts List

Item	Part No.	Qty.	Description
1	200517	1	Drive Pulley Poly V
2	200518	1	240X Motor Plat Weldment
3	200521	1	240X Motor Spacer
4	200528	1	Key 1/4 x 1/4 x 3/4
5	200580	1	Hose Assy, 240X Scrubdeck
6	710975	1	SCR-SC 5/16-18 x .87 ST PL
7	710986	4	SCR-SC 3/8-16 x .87 ST PL
8	711516	1	WSR-Flat .31 x 1.25 x .05
9	711546	4	WSR-Helical 3/8
10	712318	2	WSR-Flat .75 x 1.12 x .12 PL
11	712822	2	SCR-MC 10-24 x .50 TH SS
12	740209	1	Motor 24V 1HP
13	827998	2	Clamp

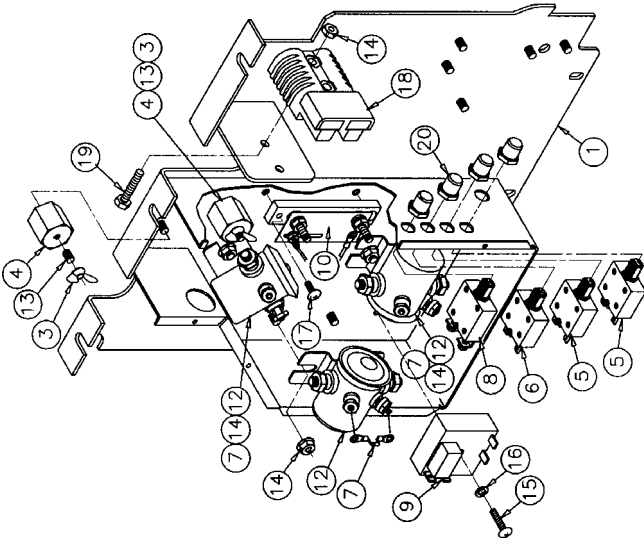
DASHBOARD



Parts List for 200295

Item	Part No.	Qty.	Description
1	200179	1	Dashboard Plate
2	715280	1	Decal 200 Dashboard
3	809874	1	Knob
4	743501	1	Meter, Hour Battery 24V
5	742102	1	Switch, 23670C4D
6	740811	1	Switch Boot
7	741005	1	Keyswitch On-Off
8	740711CE	1	Switch Dreefs w/Splashguards
9	742202	1	Disconnect Switch 125A
10	743049	1	Gauge, Brush Pressure
11	743199-1	1	Potentiometer Assy

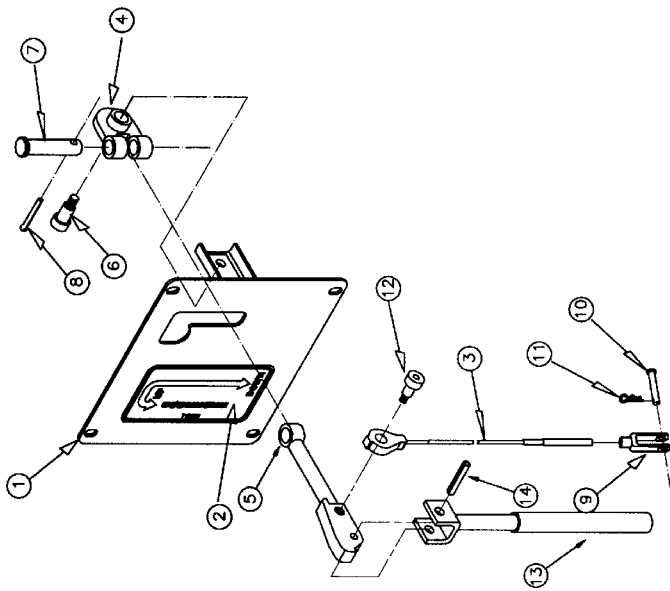
BACK PANEL



Parts List for 200175-1

Item	Part No.	Qty.	Description
1	200124	1	Backpanel Weldment
2	711368	2	Wing Nut, 1/4-20
3	740132	2	Insulator (Glastic)
4	740238	2	Circuit Breaker 18
5	740247	1	Circuit Breaker 30
6	742000	3	Diode Assembly
7	740549	1	Circuit Breaker 50
8	741037	1	5 Sec. True Off Delay Timer
9	740134-1	1	Shunt, Uncalibrated
10	743250	1	Wire Harness, Lower Assy.
11	788147	3	Solenoid 24VDC
12	833638	2	Brass Stud
13	711425	8	Whiz-Nut 1/4-20
14	712823	1	SCR-THMS 10-24 x 1"
15	712920	1	WSR-Nylon .22 x .42 x .04
16	712536	2	SCR 10-24 x .62
17	740159	1	CB175 Red Housing Only
18	711210	2	SCR-HH 1/4-20 x 1 1/4
19	742748	4	Boot, Circuit Breaker

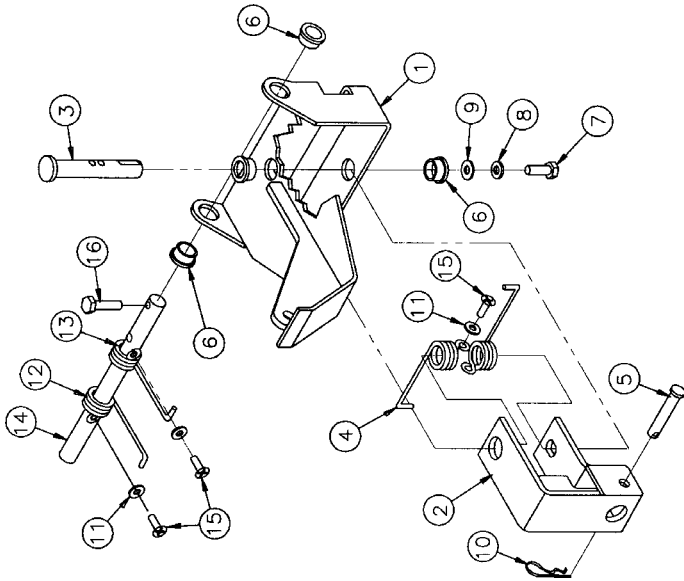
SQUEEGEE LIFT



Parts List for 200240

Item	Part No.	Qty.	Description
1	200239	1	Panel Cover Weldment
2	715603	1	Decal Squegee Lift
3	200241	1	Squegee Lift Cable
4	200261	1	Inner Arm Weldment
5	200017	1	Arm Squegee, Lift Weldment
6	712081	1	Bolt, Shoulder 5/16 x .75
7	831965	1	Clevis Pin 3/8
8	809311	1	Cotter Pin 7/64 x 1"
9	881009	1	Yoke
10	881002	1	Clevis Pin 5/16
11	711808	1	Cotter Pin #13
12	712041	1	Bolt-Shoulder 5/16 x .44
13	200038	1	Handle Weldment
14	711642	1	3/16 X 1.00 Roll Pin

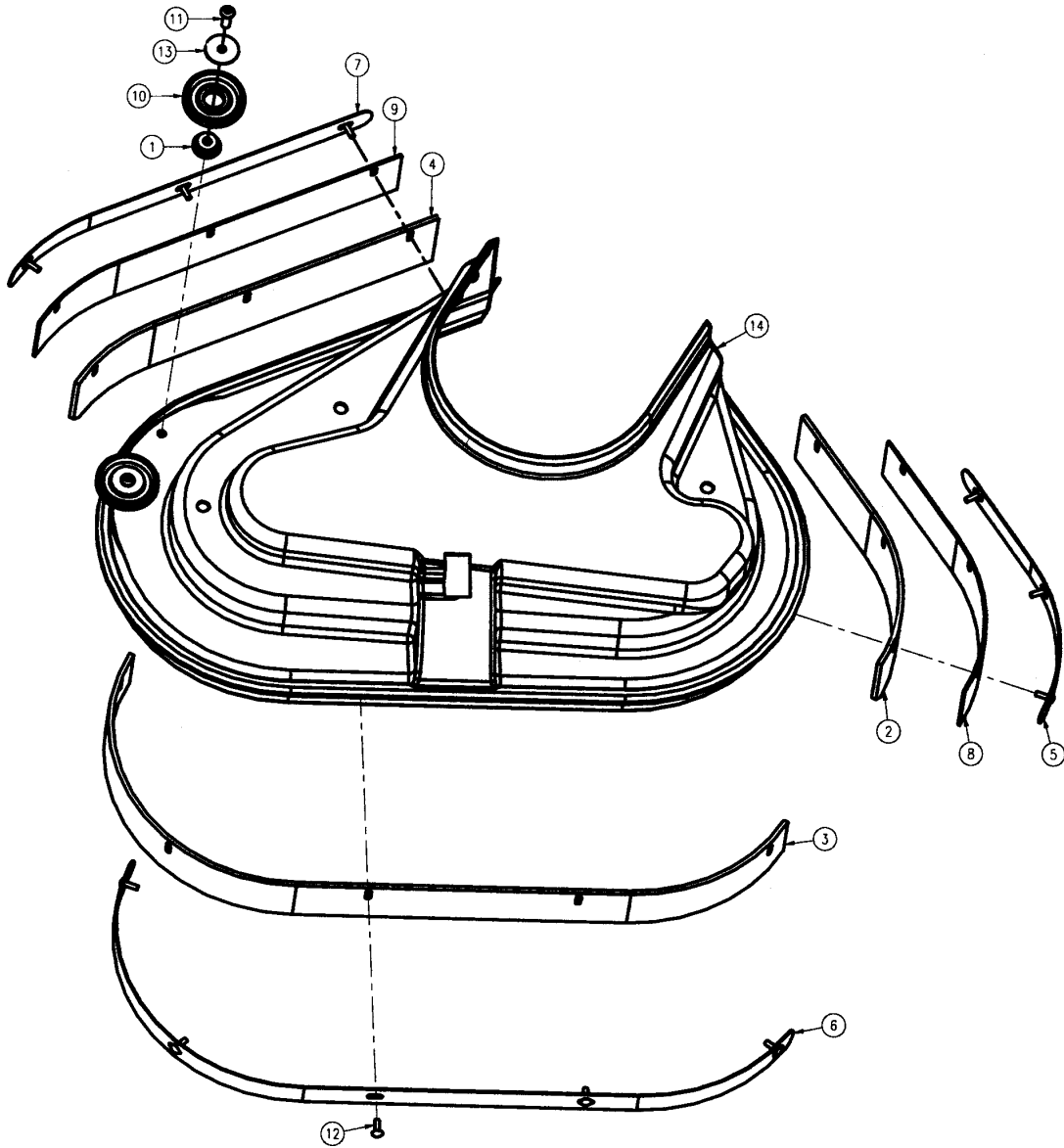
SQUEEGEE MECHANISM



Parts List for 200153

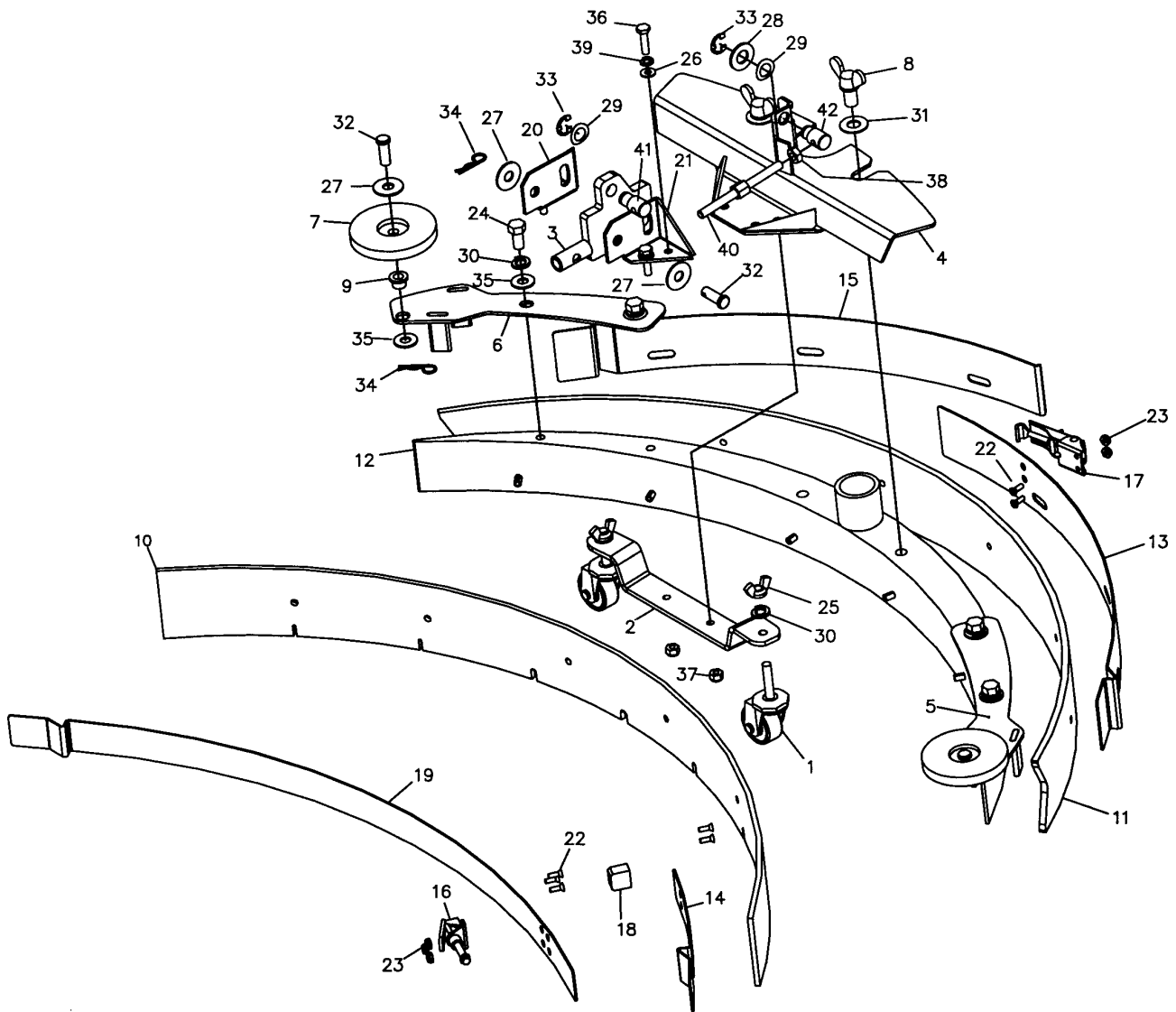
Item	Part No.	Qty.	Description
1	200144	1	Spring Housing Weldment
2	200300	1	Yoke Weldment
3	210375	1	Swivel Pin
4	210391	2	Return Spring SS
5	210415	1	Clevis Pin .31 x 1.7 11-097
6	260041	4	Oilite Flange Bushing
7	710180	1	SCR-MC 1/4-20 x .75 ST PL
8	711544	1	WSR-Helical 1/4
9	711519	1	WSR-Flat .25 x 1.01 x .06
10	711808	1	Cotter Pin - Hair #13
11	712320	4	WSR-Nylon .22 x .45 x .04
12	900080	1	Spring, Torsion RH
13	900081	1	Spring, Torsion LH
14	200159	1	Pin
15	712536	4	SCR-MC 10-24 x .62 SS
16	712564	1	BLT-HH 1/4-20 x 1.00 SS

COVER ASSEMBLY 200570



Parts List

Item	Part No.	Qty.	Description
1	200535	2	Roller Spacer
2	200551	1	Skirt, Left 240X
3	200552	1	Skirt, Center 240X
4	200553	1	Skirt, Right 240X
5	200554	1	Skirt Retainer, Left 240X
6	200555	1	Skirt Retainer, Center 240X
7	200556	1	Skirt Retainer, Right 240X
8	200571	1	Left Backer Plate, 240X
9	200573	1	Right Backer Plate, 240X
10	430085	2	Squeegee Bumper Wheel
11	710975	2	SCR-SC 5/16-18 x .87 ST PL
12	711160	11	#10 x 5/8 Hi-Lo
13	712759	2	WSR-Fit .31 x 1.37 x .06 SS
14	200522	1	240X Scrubdeck Cover



Parts List for 200348

Item	Part No.	Qty.	Description	Item	Part No.	Qty.	Description
1	200064	2	Caster Wheel 3/8"-16 x 1-5/8"	22	710530	7	SCR-MC 8-32 x .50 BR
2	200065	1	Castor Support Bracket	23	711026	5	Nut, Hex 8-32 Nyloc SS
3	200169	1	200X Sq Lift Weldmt New	24	711241	4	SCR-Hex 3/8-16 x .75" ZP
4	200342	1	Squeegee Brkt Weldmt, 200X	25	711367	2	Nut-Wing 3/8-16 ST PL
5	200344	1	Top Plate Weldmt, 200X LH	26	711504	4	WSR-Flat 1/4 ID SS
6	200347	1	Top Plate Weldmt, 200X RH	27	711507	4	WSR-Flat .37 x 1.12 x .06
7	210153	2	Roller Wheel	28	711509	1	WSR-Flat 1/2 (.54 x 1.08 x .087)
8	220249	2	Wing Bolt 1/2-13 x .75"	29	711524	2	WSR-Wave .52 x .87 x .01
9	260066	2	Oilite Bushing	30	711546	6	WSR-Helical 3/8
10	260242	1	Front Squeegee Blade 260	31	711592	2	WSR-Nylon .50 x 1.06 x .06
11	260243	1	Rear Squeegee Blade 260	32	711668	3	Cleavis Pin, 3/8 x 1 11-141
12	260248	1	260 Sq. Casting w/Roll Pin	33	711713	2	Retaining Ring - "E" Type Ext .500
13	260339	1	Strap - Rear Latch 260	34	711808	3	Cotter Pin - Hair #13
14	260344	1	Strap - Front Stop 260	35	712301	6	WSR-Flat .87 x .37 x .06
15	260346	1	Strap - Rear Catch 260	36	712564	4	Bolt-HH 1/4-20 x 1.00 SS
16	281074	1	Squeegee Toggle Clamp, 2800	37	712667	2	Nut, Hex 1/4-20 Nyloc SS
17	281075	1	Squeegee Latch, 2800	38	712680	1	Nut-Hex 5/16-18 SS
18	281740	1	Stop Bar	39	712758	4	WSR-Helical 1/4 SS
19	320308	1	Strap-Front Clamp 320	40	750689	1	Adjustment Stud
20	383424	1	Mounting Bracket-Right	41	762022PLT	1	Nut, Adjusting (LH)
21	383425	1	Mounting Bracket-Left	42	762257PLT	1	Nut, Adjusting (RH)