



Key Features

- Equipped with U.L.P.A. (Ultra Low Penetration Air) filter which is 99.999% efficient @ 0.12 microns
- Non-woven, embossed, polyester filter bag provides 50% more filtration area than standard bags
- State-of-the-Art polypropylene lid assembly is acoustically designed to minimize noise down to 74 dba
- Polyethylene tanks are durable, non-corrosive and dent-proof for years of reliable service
- Convenient 50 foot cord

Markets/Applications

- Abatement contractors
- Environmental contractors
- Healthcare
- Primary/higher education
- Municipalities

General Overview

- U.L.P.A. filtered vacuum for the recovery of lead, dust, paint chips and other hazardous materials
- Conventional vacuum cleaners exhaust unseen lead particles back into the environment, compounding the existing hazard
- Dry recovery unit vacuums directly into a disposable collection bag
- The Lead vacuum has been specifically designed for safe and efficient daily use in commercial and industrial sites

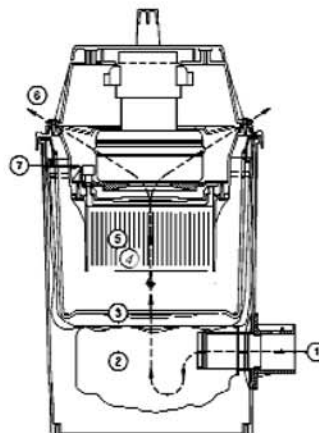


Each unit comes standard with a dry tool kit, which includes:

- 1-1/4" x 8' Crush Proof Hose (3 cm x 2.4 m)
- 1-1/4" Telescopic wand
- 12" Crevice Tool (30 cm)
- 3" Round Dust Brush (8 cm)
- 5" Upholstery Tool (13 cm)
- Combination Floor Tool

Accessories/Options

- Electric powerhead
- Air driven turbo brush
- Filter protectors (package of 12)



- 1) Intake
- 2) Collection Bag
- 3) Cloth Filter
- 4) Pre-filter Sleeve
- 5) U.L.P.A. Filter
- 6) Exhaust
- 7) Safety Interlock

Specifications

Tank Size	6 gal (22 ltr)
Power	1.25 hp
Air Flow	95 CFM
Water Lift	85" (2159 mm)
Dry Capacity	.46 cu ft (.01 m ³)
Cord	16-3, 50' (15 mm)
Casters	1-5/8" (1.13 cm)
Weight	17 lbs (8 kg)

MinutemanVac.com is a factory authorized outlet of Minuteman International

8248 West Doe Avenue | Visalia, CA 93291 | Phone: 1.800.637.6606 | Fax: 559.651.1320

Come Visit Our Website at
www.minutemanvac.com

a division of Enviro Safety Products