

Micro  
Vacuum

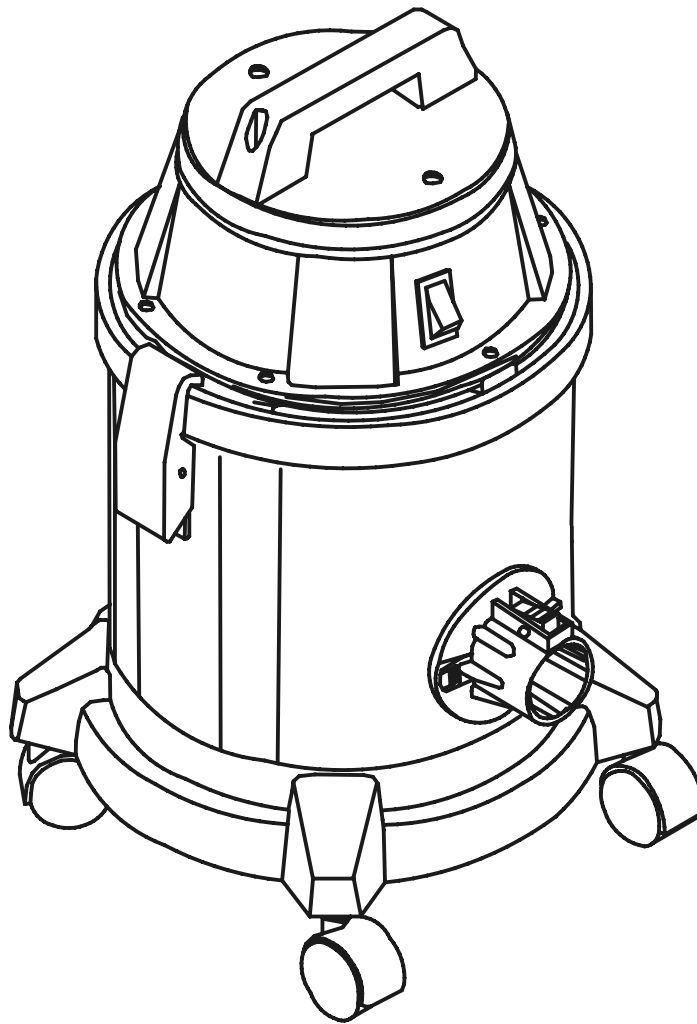
Model: C82904-07

OPERATION

SERVICE

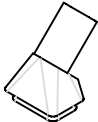
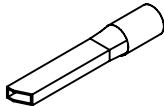
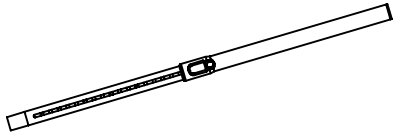
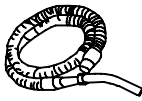
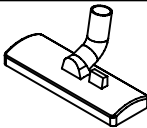

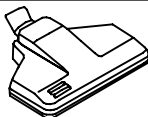
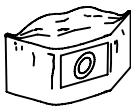
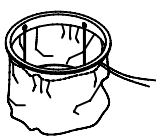


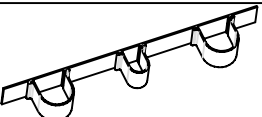
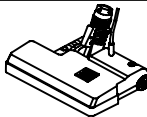
PARTS

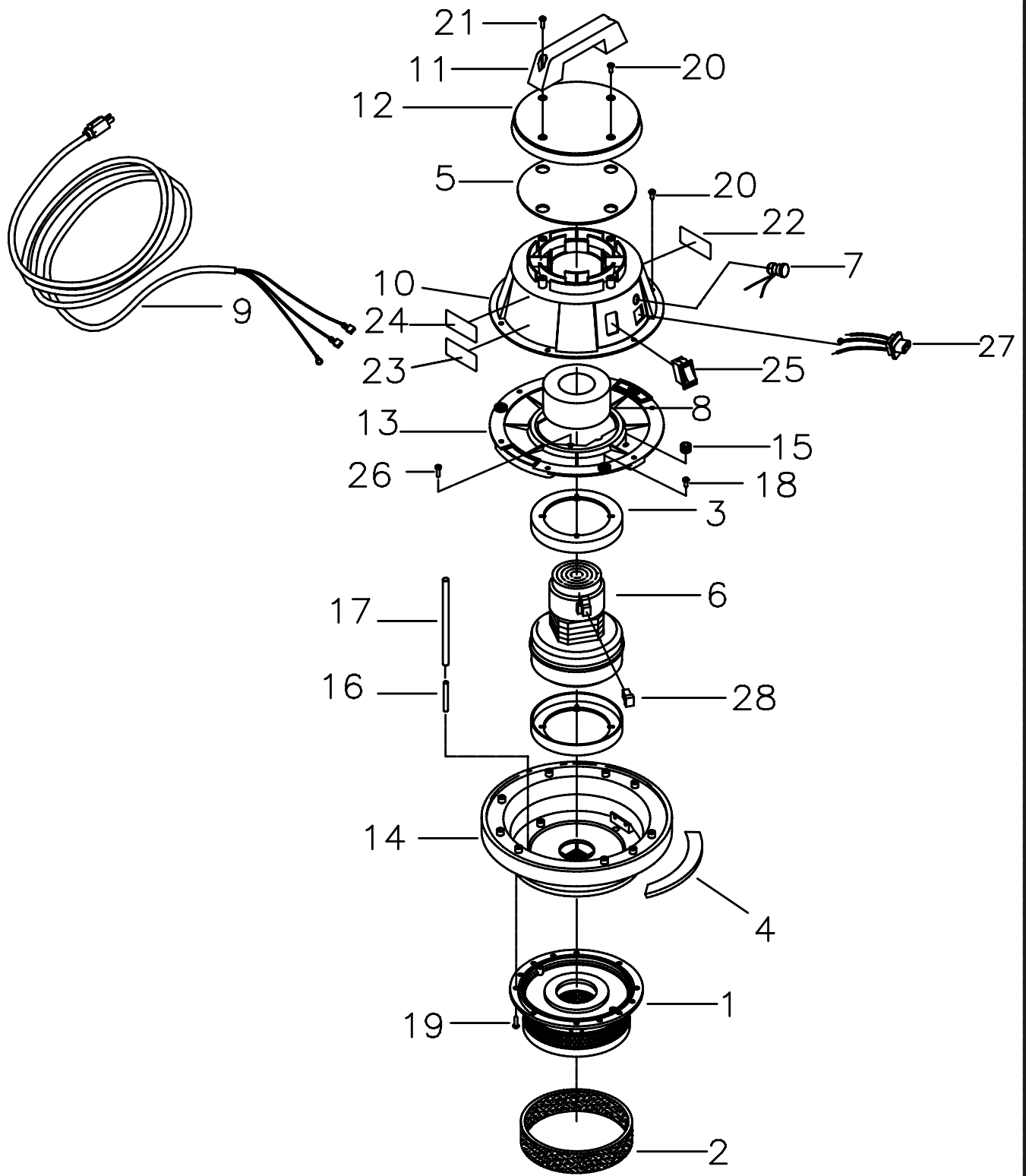
CARE



**Minuteman**<sup>®</sup>

# TOOLS AND ACCESSORIES

|   | PART NO.  | DESCRIPTION   |
|---|---|---|
| A |    | 829563 DUST BRUSH 1-1/4"                              |
| B |    | 829562 CREVICE TOOL                                   |
| C |    | 829565MCH TELESCOPING WAND                            |
| D |    | 829849 HOSE ASSY 1-1/4" x 8'                          |
| E |    | 829561 COMBINATION FLOOR TOOL                         |
| F |    | 829564 UPHOSTERY TOOL (OPTIONAL)                      |
| G |  | 829096 TURBO BRUSH (OPTIONAL)                         |
| H |  | 384003PKG DISPOSABLE PAPER<br>REPLACEMENT FILTER BAGS |
| I |  | 829094 BAG ASSEMBLY COMPLETE<br>(OPTIONAL)            |
| J |  | 110025 FILTER, HEPA-MICROVAC                          |
| K |  | 110027PKG PRE-FILTER SLEEVE 6/PKG                     |
| L |  | 829097 TOOL KIT CARRIER 1.25                          |
| M |  | 807756 14" ELECTRIC POWER HEAD<br>(OPTIONAL)          |



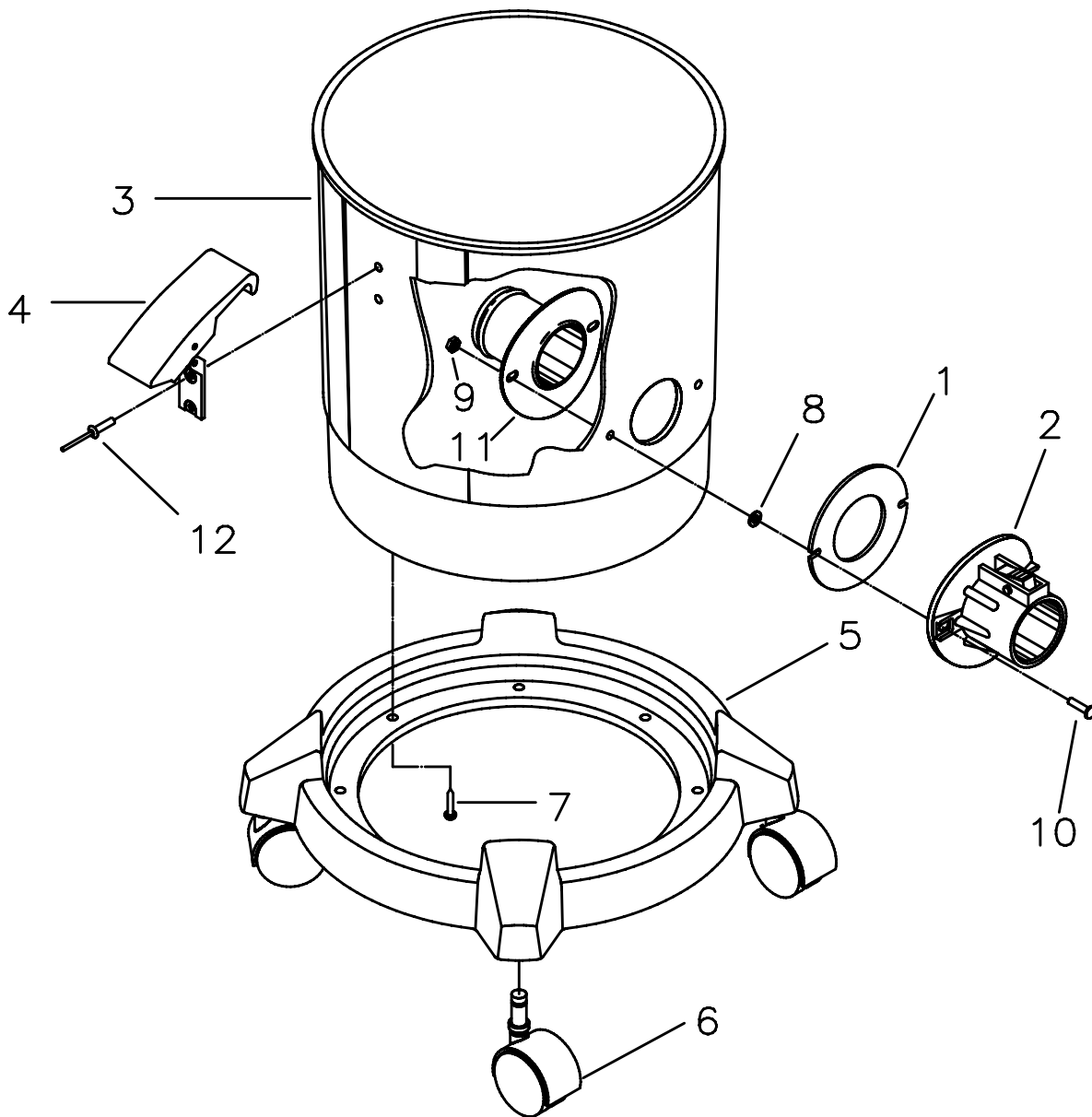
## PARTS LIST

| ITEM | PART NO.  | REQ'D | DESCRIPTION                          |
|------|-----------|-------|--------------------------------------|
| 1    | 110025    | 1     | FILTER, HEPA-MICROVAC                |
| 2    | 110027    | 1     | PREFILTER SLEEVE, ALLERVAC - SINGLE  |
| 3    | 290017    | 2     | MOLDED VAC MOTOR GASKET              |
| 4    | 290031    | 1     | LID GASKET 294/6 DIECUT              |
| 5    | 290032    | 1     | DOME SEAL 296                        |
| 6    | 380001-4  | 1     | MOTOR-VAC BYPASS 120V (ECM) W/ WIRES |
| 7    | 740088    | 1     | SWITCH-VAC LIGHT SENSOR              |
| 8    | 380064    | 1     | RING, FOAM                           |
| 9    | 381020    | 1     | CORD-16GA-3 50FT MED GREY            |
| 10   | 829091    | 1     | COVER-MOTOR 4G DRY                   |
| 11   | 460001    | 1     | HANDLE BASIC 460 BLACK               |
| 12   | 460101    | 1     | MOTOR CAP- BLACK                     |
| 13   | 460104MCH | 1     | MOTOR HOLDOWN 829SERIES              |
| 14   | 460120    | 1     | MOTOR PAN ASY 829SERIES              |
| 15   | 700287    | 1     | GROMMET                              |
| 16   | 829099    | 1     | TUBE SS .125 X 1.5                   |
| 17   | 800071    | 1     | CLEAR TUBBING 12" LONG               |
| 18   | 711125    | 3     | SCR-ST-B 10 X .50 NI                 |
| 19   | 711160    | 9     | SCR-HI/LO #10 X 5/8 ZINC             |
| 20   | 711161    | 8     | SCR-HI/LO #10 X 3/4 ZINC             |
| 21   | 711162    | 2     | SCR-HI/LO #10 X 1 1/2 ZINC           |
| 22   | 715029    | 1     | DECAL-NAME PLATE SERIAL              |
| 23   | 715446    | 1     | DECAL-HEPA FILTER                    |
| 24   | 715009    | 1     | DECAL-WARNING TO AVOID               |
| 25   | 809754    | 1     | SWITCH-ROCKER                        |
| 26   | 828893    | 1     | RIVET-BAP KTR64BX                    |
| 27   | 831801-2  | 1     | RECEPTACLE ASY, FEMALE W/PIGGYBACKS  |
| 28   | 380005    | 1     | CARBON BRUSH REPLACEMENT (ECM)       |

To install prefilter Item 1 simply slide black foam sleeve over HEPA canister.

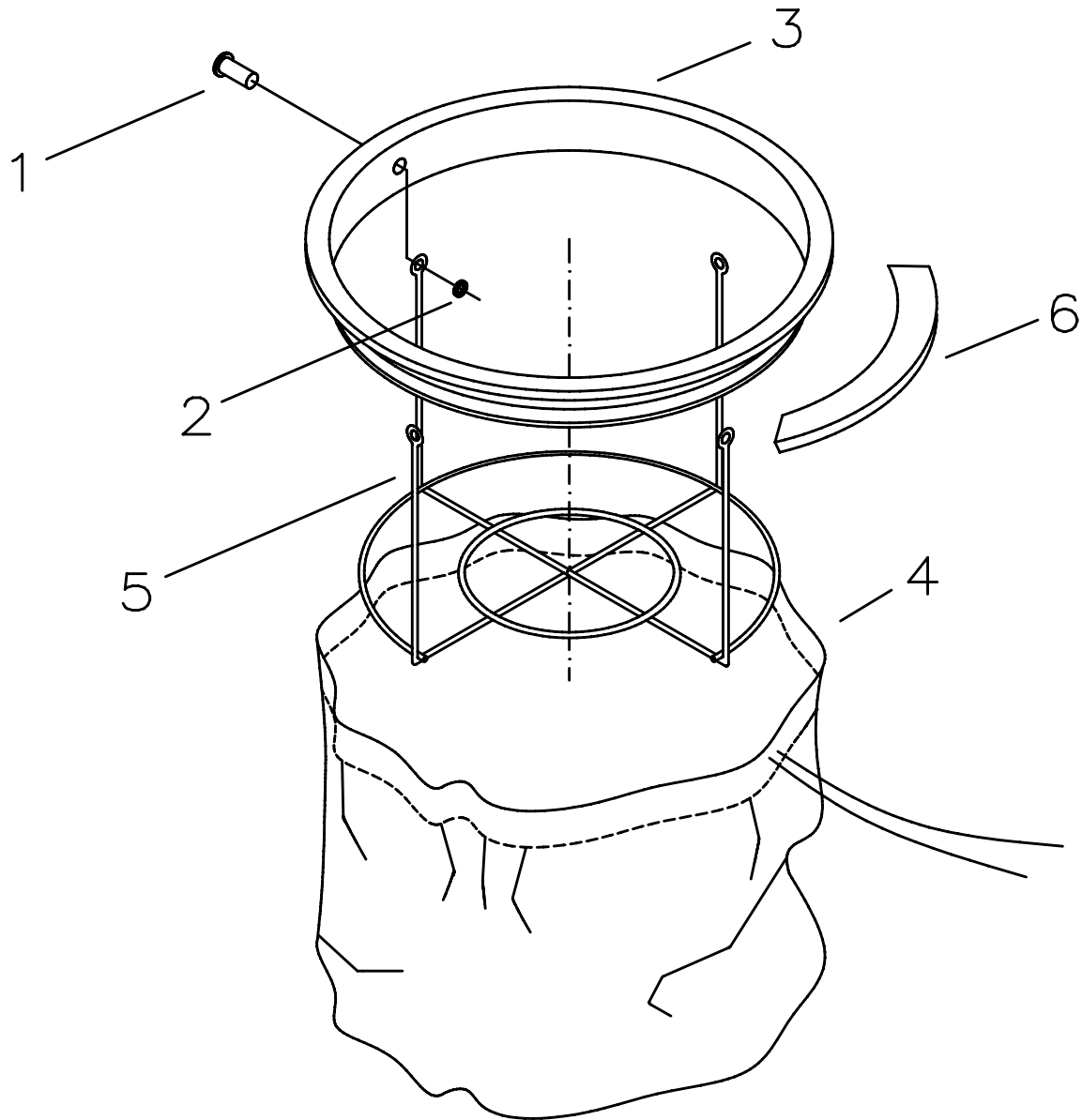
### WARNING

This vacuum may contain potentially hazardous dust depending on its application. Special handling of contaminated disposal bags and filters is recommended. Disposal must be in compliance with local EPA regulations.



### PARTS LIST

| ITEM | PART NO. | REQ'D | DESCRIPTION                    |
|------|----------|-------|--------------------------------|
| 1    | 390087   | 1     | GASKET DIECUT VNN              |
| 2    | 390110   | 1     | INTAKE ASSEMBLY ALUMINUM       |
| 3    | 460111   | 1     | TANK 4GAL LOW INTAKE           |
| 4    | 460114   | 2     | LATCH POLY TNK                 |
| 5    | 460115   | 1     | DOLLY, PLAST VAC TNK BLK       |
| 6    | 460118   | 4     | CASTER                         |
| 7    | 711160   | 4     | SCR-HI/LO #10 X 5/8 ZINC       |
| 8    | 712320   | 2     | WSR .20 X .45 X .048 NYL       |
| 9    | 712638   | 2     | NUT HEX 10-24 SS NYLOC         |
| 10   | 712824   | 2     | SCR-MC 10-24 X .75 TRUSS HD ST |
| 11   | 750118   | 1     | INTAKE ASSY TUBE 4/6 GAL       |
| 12   | 828893   | 4     | RIVET-BAP KTR64BX              |



### Parts List

| ITEM | PART NO.  | REQ'D | DESCRIPTION              |
|------|-----------|-------|--------------------------|
| 1    | 711909    | 4     | RIVET-POP .19 X .44 AL   |
| 2    | 712764    | 4     | WSR #10 SS               |
| 3    | 760244MCH | 1     | PLASTIC BAG FRAME W/HOLE |
| 4    | 805043    | 1     | BAG ONLY 4G              |
| 5    | 829093    | 1     | BAG FRAME 4G             |
| 6    | 390005    | 1     | GASKET 4/6 GAL 1TO1      |
| ***  | 829094    | 1     | BAG ASY COMP             |