

**Minuteman<sup>®</sup>**  
Excellence Meets Clean

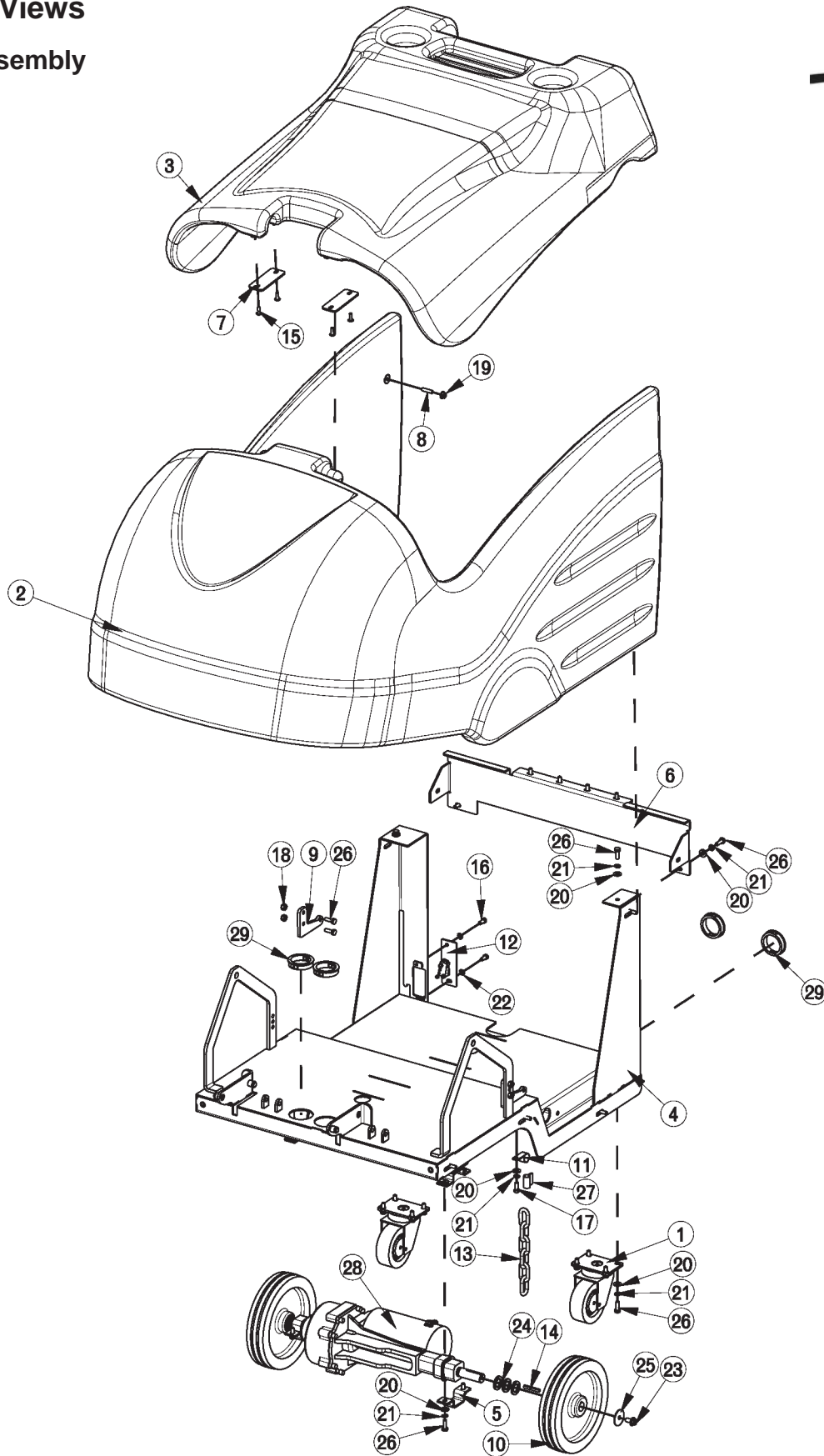


**Parts and Instruction Manual**  
**Lumina 28 Traction Drive**  
**Battery Burnisher**

[www.minutemanvac.com](http://www.minutemanvac.com), a division of Enviro Safety Products | 1.800.637.6606

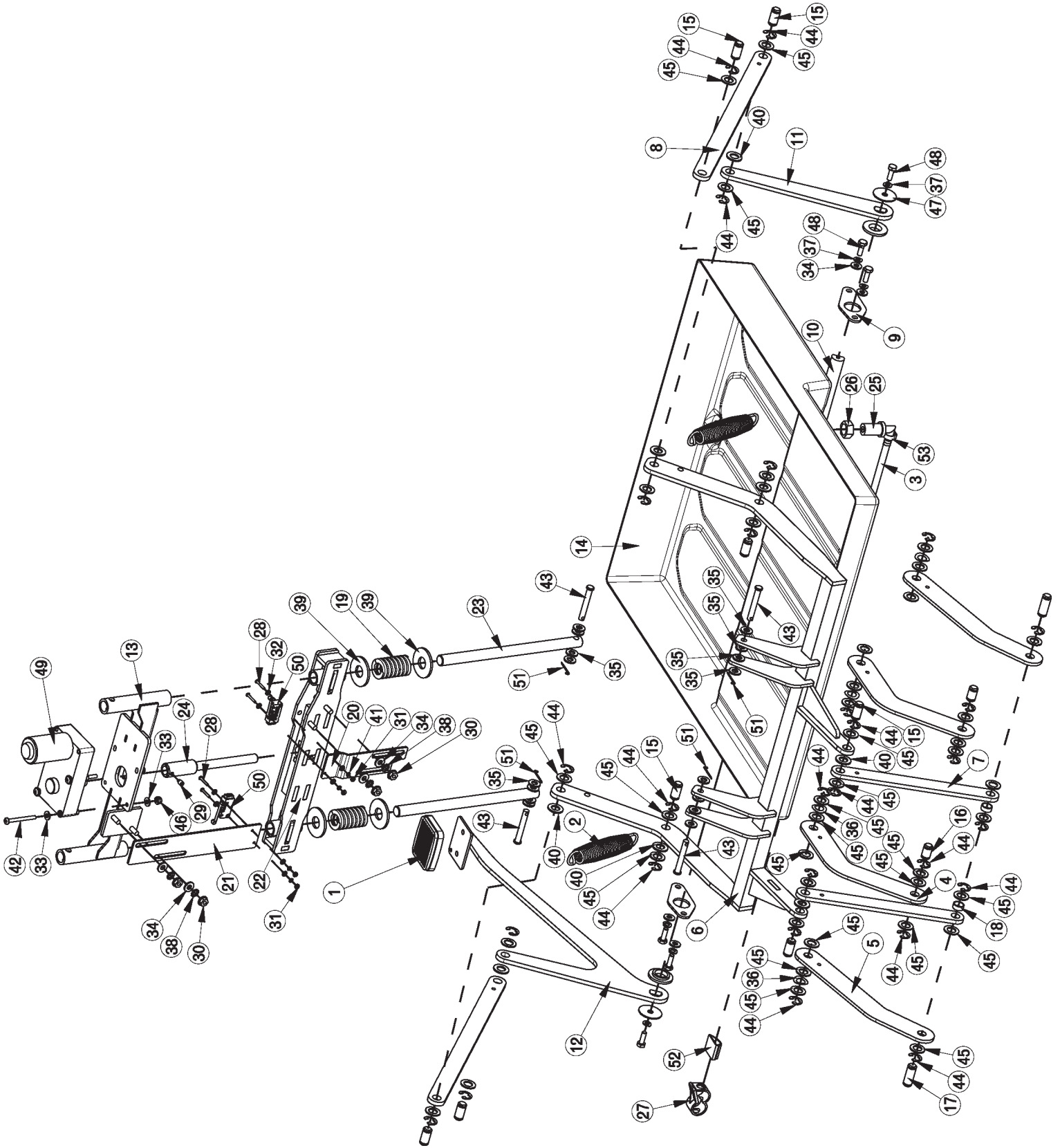
# Exploded Views

## Base Assembly

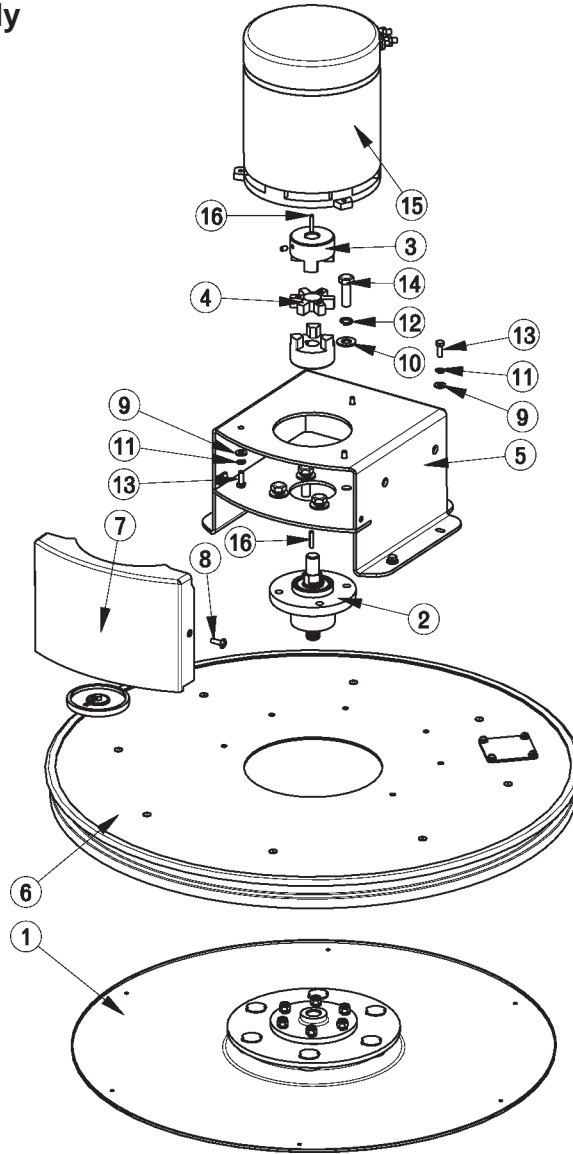


## Base Assembly BOM

BILL OF MATERIAL			
ITEM	PART NO.	REQ'D	DESCRIPTION
1	200345	2	CASTER, 3-1/2 POLYURETHANE
2	280300	1	BASE, LUMINA 28
3	280301	1	LID, LUMINA 28
4	280302	1	28" LUMINA MAIN FRAME WMNT
5	280322	2	BRACKET, TRANSAXLE MOUNTING
6	280360	1	SUPPORT, CONSOLE REAR
7	280362	2	LID BRACKET PLATE
8	280393	8	STUD, 1/4-20 X 1 STL ZINC
9	280395	2	PLATE, SPRING MOUNTING
10	280396	2	WHEEL 8 X 1.6 X .75 BORE
11	280404	1	LUMINA 28", CHAIN MTG STRAP
12	280433	1	SWITCH PLATE ASSEMBLY
13	320996	1	STATIC GROUNDING CHAIN
14	361233	2	KEY, 3/16 SQ. X 1.50"
15	711160	4	#10 X 5/8 HI-LO
16	711202	2	BLT-HH 1/4-20 X 0.50 STPL
17	711203	1	BLT-HH 1/4-20 X 0.62 STPL
18	711373	4	NUT-NYLOC 1/4-20
19	711425	8	NUT, HEX 1/4-20 WIZNUT
20	711505	21	WSR-FLAT 1/4
21	711544	21	WSR-HELICAL 1/4
22	711564	2	WSR-EXTERNAL LOCK 1/4
23	712042	2	BLT-WSR HH 5/16-18 X .62
24	712318	6	WSR- FLAT.75 X 1.12 X .12 PL
25	712759	2	WSR- FLT .31 X 1.37 X .06 SS
26	713002	24	BLT-HH 1/4-20 UNC-2A X 3/4 STL#5
27	715281	1	DECAL-CHAIN GROUNDING
28	743800	1	TRANSAXLE 36VDC
29	762400	4	HEYCO BUSHING 2.00"



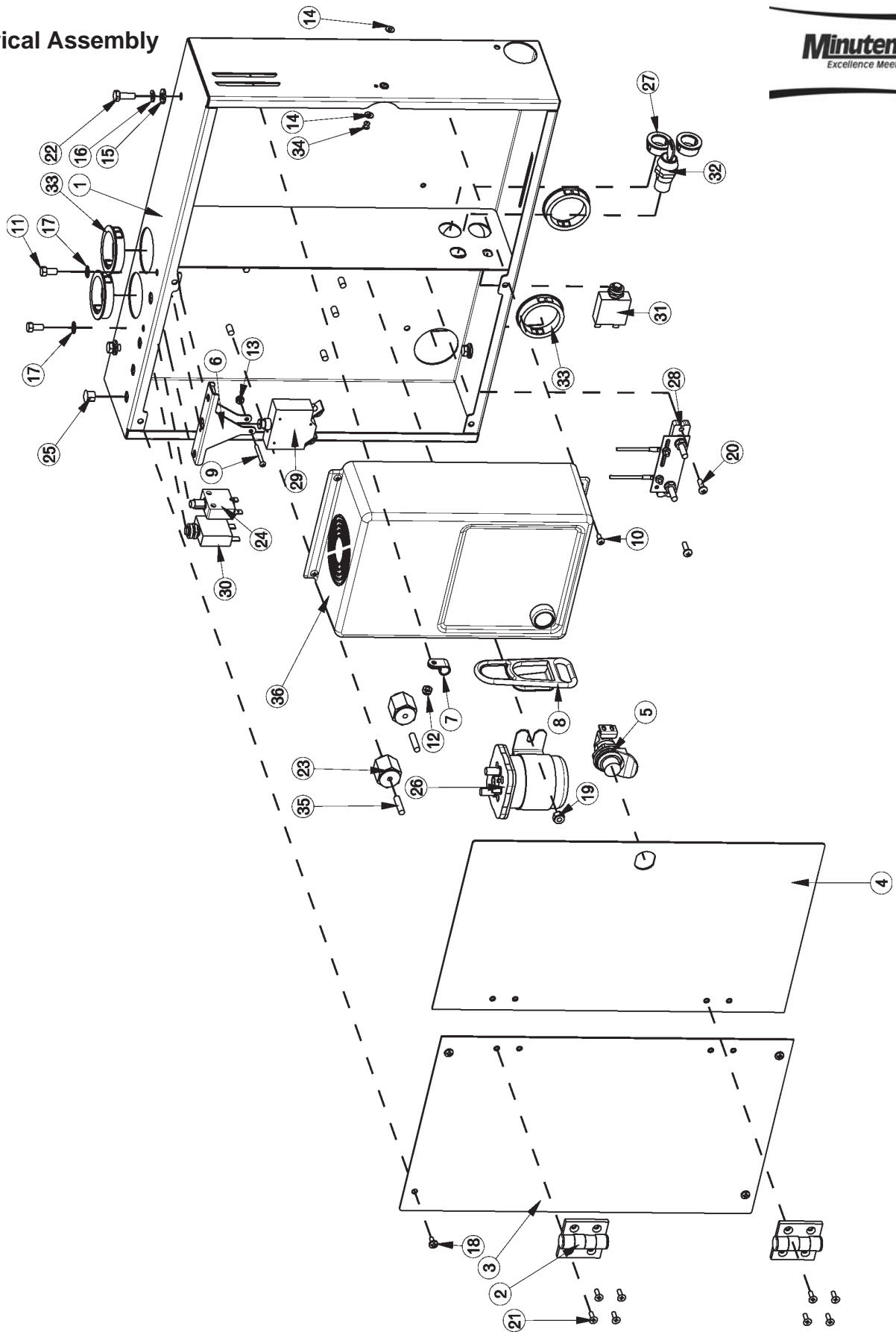
BILL OF MATERIAL				BILL OF MATERIAL			
ITEM	PART NO.	REQ'D	DESCRIPTION	ITEM	PART NO.	REQ'D	DESCRIPTION
1	210142	1	PEDAL PAD	28	710493	4	SCR-MC 4-40 X .75 PAN HD
2	260211	2	HOBBY SPRING	29	711027	1	SK-DOG POINT 1/4-20 X 3/8 STL BLACK OXIDE
3	260224	1	18" HOSE	30	711425	4	NUT, HEX 1/4-20 WIZNUT
4	280323	2	ARM, REAR PIVOT	31	711428	4	NUT-HEX 4-40
5	280324	2	ARM, FRONT PIVOT	32	711501	8	WSR-FLAT # 6
6	280325	1	WELDMENT, PIVOT ARM	33	711503	8	WSR, FLAT#10
7	280332	2	MOTOR LIFT BAR	34	711505	8	WSR-FLAT 1/4
8	280333	2	LINKAGE LIFT BAR	35	711506	16	WSR-FLT .344 X .690 X .062 STL Z
9	280334	2	ASSEMBLY, LINKAGE PIVOT BUSHING	36	711524	4	WSR-WAVE .52 X .87 X .01
10	280335	1	LINKAGE PIVOT ROD	37	711544	6	WSR-HELICAL 1/4
11	280336	1	LINKAGE PIVOT PLATE	38	711564	4	WSR-EXTERNAL LOCK 1/4
12	280337	1	PEDAL SUPPORT WMNT	39	711570	4	WSR-FLT .687 X 1.75 X .122
13	280340	1	WELDMENT, MOTOR SUPPORT	40	711592	8	WSR-FLAT .50 X .9 X .075 NYL
14	280372	1	TRAY, LUMINA 28 BATTERY	41	711596	6	WSR-INT LOCK #4
15	280383	8	PIN, LINKAGE PIVOT	42	711603	4	SCR-MC PAN HD (PHILLIPS) 10-24x2.00 ZINC
16	280384	2	PIN, REAR SHROUD PIVOT	43	711671	4	CLEVIS PIN .31X2.13 11-10
17	280385	2	PIN, FRONT SHROUD PIVOT	44	711713	28	RETAINING RING - "E" TYPE EXT .500
18	280386	2	SPACER, FRONT SHROUD PIVOT	45	712310	40	WSR- FLAT .52 X .87 X .06 PL
19	280387	2	SPRING, DIE 5/8 ID X 1 1/4 OD	46	712638	4	NUT, HEX 10-24 SS NYLOC
20	280423	1	SWITCH BRACKET	47	712759	2	WSR- FLT .31 X 1.37 X .06 SS
21	280424	1	SWITCH BRACKET - UPPER	48	713002	6	BLT-HH 1/4-20 UNC-2A X 3/4 STL#5
22	280425	1	SUPPORT WELDMENT - LOWER	49	743905	1	MOTOR - GEAR, PRESSURE ADJUST
23	280426	2	SHAFT - STEEL, HARDENED	50	747603-2	2	SWITCH ASY, MICRO ROLLER W/PACK/CONDUIT
24	280427	1	THREADED COUPLER	51	809311	4	PIN-COTTER 7/64 DIA X 1
25	320271	1	NOZZLE BODY-ELBOW	52	809444	1	CLIP-CORD
26	320272	2	NOZZLE BODY LOCKNUT	53	828490	1	CRIMP CLAMP 140R
27	320273	1	HOSE SHUT-OFF CLAMP				



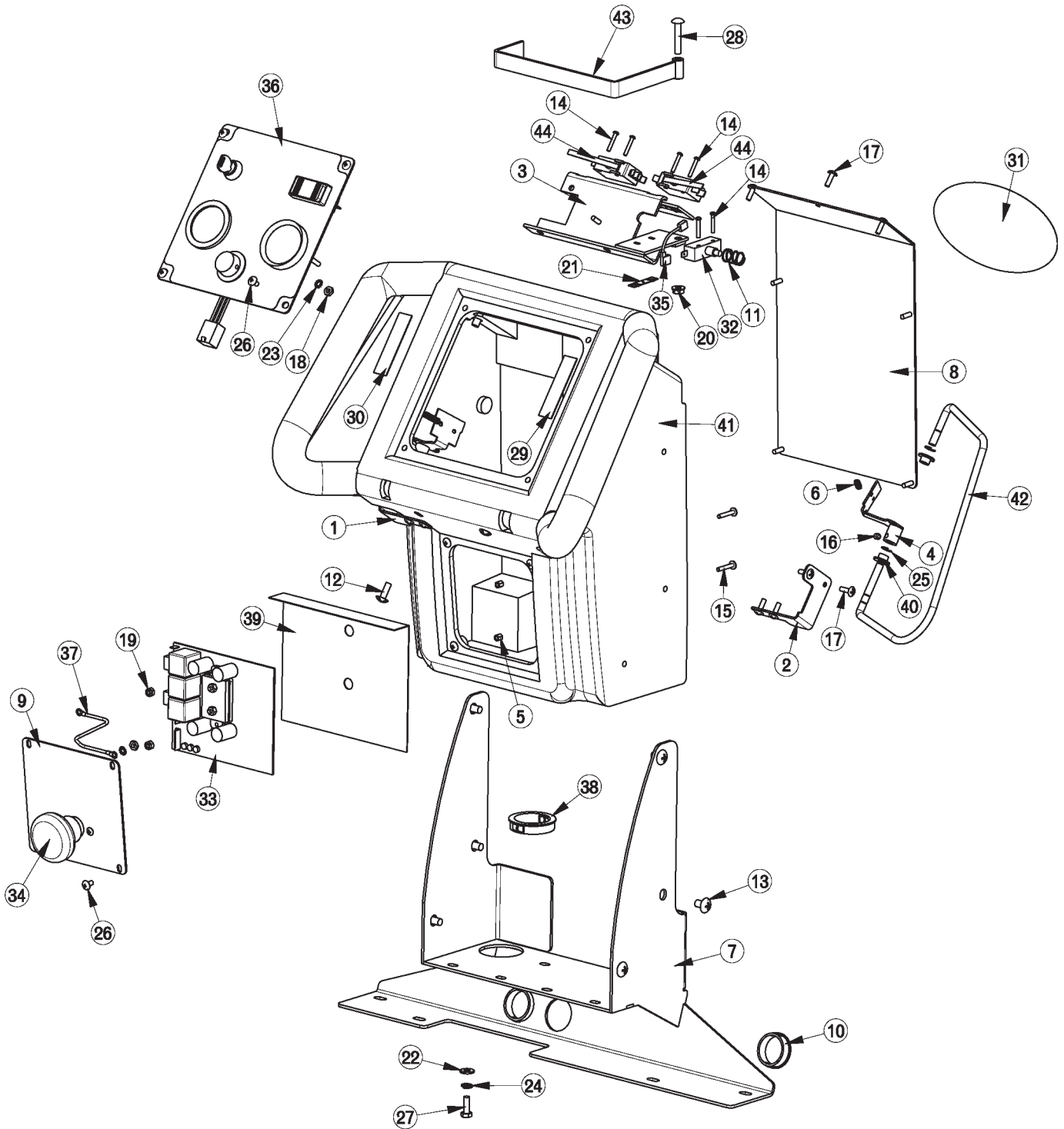
### BILL OF MATERIAL

ITEM	PART NO.	REQ'D	DESCRIPTION
1	220153	1	PAD DRIVER 28" W/ GIMBAL ASSY.
2	280363	1	BEARING ASSEMBLY PAD DRIVER
3	280373	2	COUPLING, 3/4" L-TYPE W/KEY JAW
4	280374	1	SPIDER, 3/4" L-TYPE COUPLING
5	280380	1	WELDMENT, MOTOR MOUNT
6	280397	1	PAD DRIVER ASSY, LUMINA 28"
7	280398	1	LUMINA 28", MOTOR MOUNT COVER
8	710180	2	SCR-MC TR HD 1/4-20x.75 STL ZINC
9	711505	9	WSR-FLAT 1/4
10	711509	4	WSR-FLAT 1/2 (.54X1.082X.087)
11	711544	9	WSR-HELICAL 1/4
12	711547	4	WSR-HELICAL 3/8
13	713002	9	BLT-HH 1/4-20 UNC-2A X 3/4 STL#5
14	713071	4	BLT-HH 1/2-13 X 2.00 ST PL
15	743900	1	MOTOR, 3HP 36VDC PERM. MAG.
16	808821	2	KEY .187 SQ x 1.00

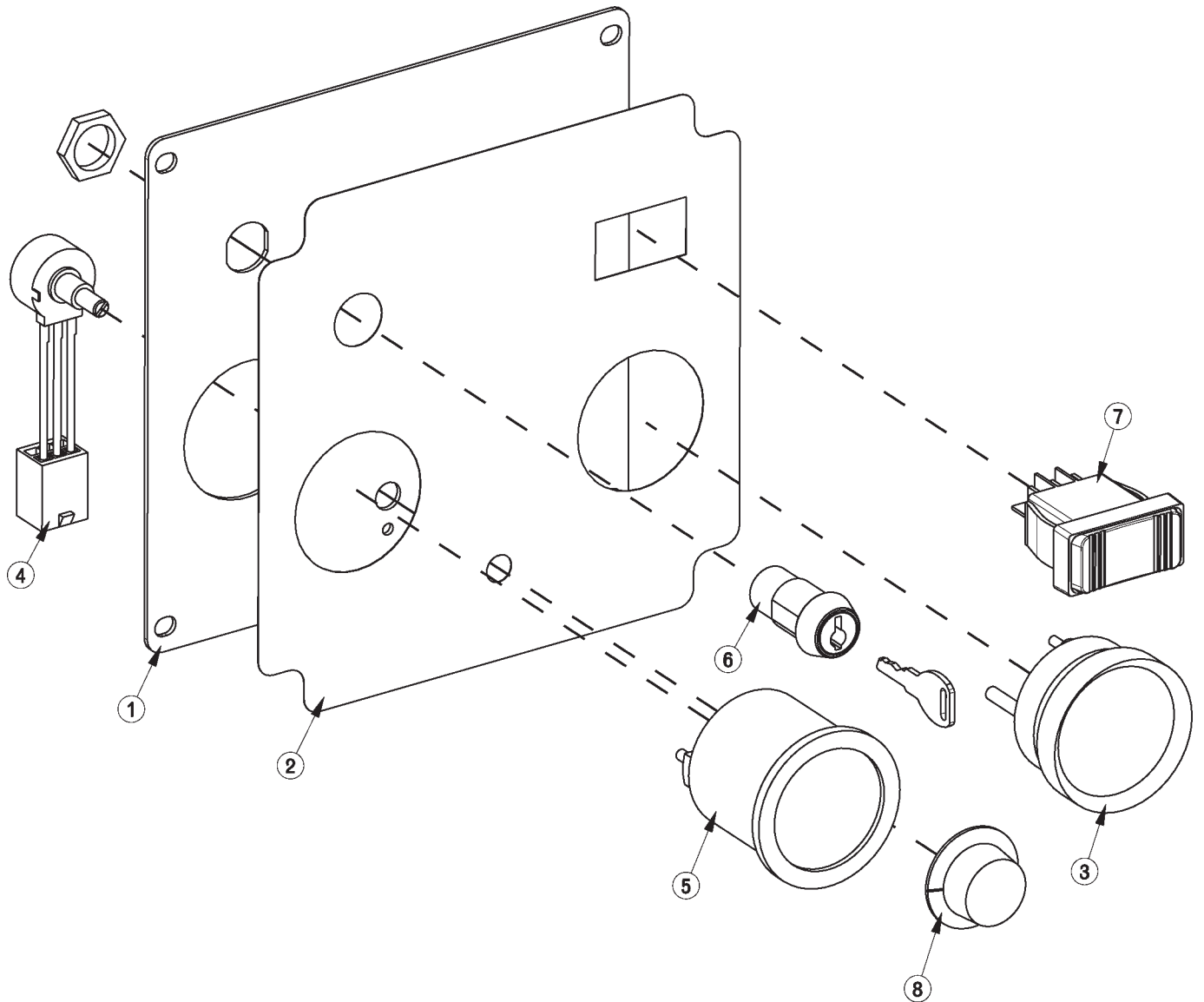
# Electrical Assembly



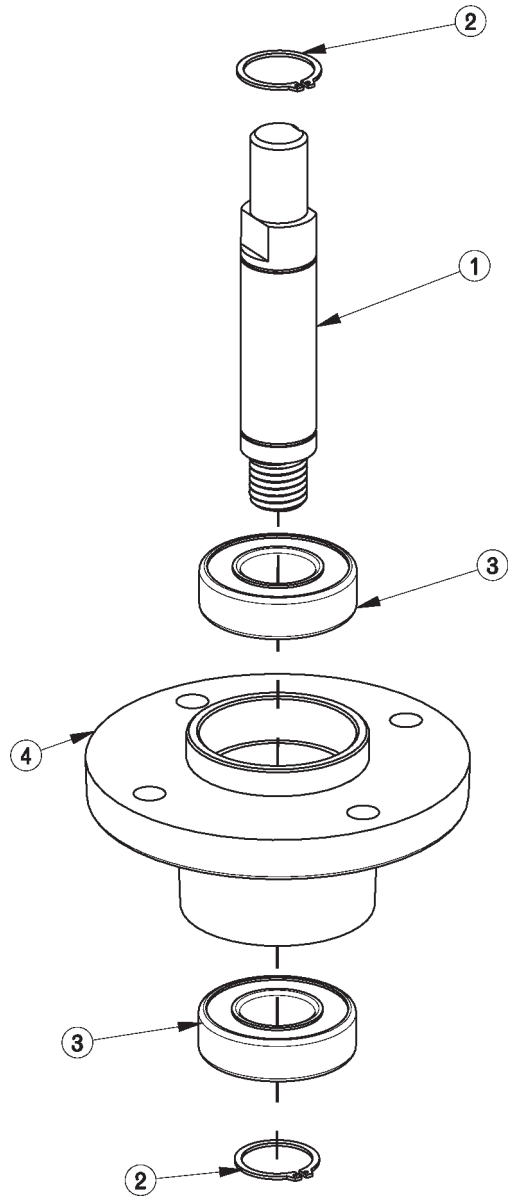
BILL OF MATERIAL			
ITEM	PART NO.	REQ'D	DESCRIPTION
1	280350	1	WMNT, LUMINA 28" ELECTRICAL BOX
2	280353	2	HINGE, 2" PLASTIC BUTT
3	280354	1	PANEL, COVER ELECTRICAL
4	280355	1	PANEL, COVER BATTERY CHARGER
5	280388	1	SLAM ACTION PUSH BUTTON LATCH
6	280432	1	BRACKET - CIRCUIT BREAKER
7	381052	1	CORD CLIP 3/8"
8	450012	1	CORD STRAIN RELIEF
9	710008	1	SCR-MC 6-32 X 1.25 ZINC
10	710128	4	SCR-MC 8-32 X .37
11	711202	2	BLT-HH 1/4-20 X 0.50 STPL
12	711350	1	NUT-NYLOC 10-32
13	711371	1	NUT-NYLOC 6-32 STL ZINC
14	711502	4	WSR-FLT .170 x.38 x.032 STL ZINC
15	711505	4	WSR-FLAT 1/4
16	711544	4	WSR-HELICAL 1/4
17	711564	2	WSR-EXTERNAL LOCK 1/4
18	712063	4	SCR-WSR 8-32 X .38 NIPL
19	712667	2	NUT, HEX 1/4-20 NYLOC SS
20	712812	2	SCR-MC 10-24 X .62 PPH ST PL
21	712820	8	SCR-MC FL HD 10-24 X .50 BLK-OX
22	713002	4	BLT-HH 1/4-20 UNC-2A X 3/4 STL#5
23	740132	2	INSULATOR, PLASTIC
24	740220	1	CIRCUIT BREAKER-20AMP 2-TERMIN
25	742749	1	HEYCO, HOLE PLUG
26	743901	1	RELAY, 36VDC 200A SPNO
27	743903	2	HEYCO BUSHING 1"
28	743906	1	SHUNT CALIBRATED 100A DC 100 MV
29	743917	1	CIRCUIT BREAKER - 100 AMP
30	746006	1	CIRCUIT BREAKER - 3A
31	746035	1	CIRCUIT BREAKER - 2.0A
32	747024	1	KEYSWITCH, SPST ES2832 SOLDER
33	762400	4	HEYCO BUSHING 2.00"
34	829214	2	RIVET, 1/8 DIA. REFERENCE POP
35	833638	2	BRASS STUD
36	957746	1	CHARGER, 36VDC 25A ON-BOARD (2



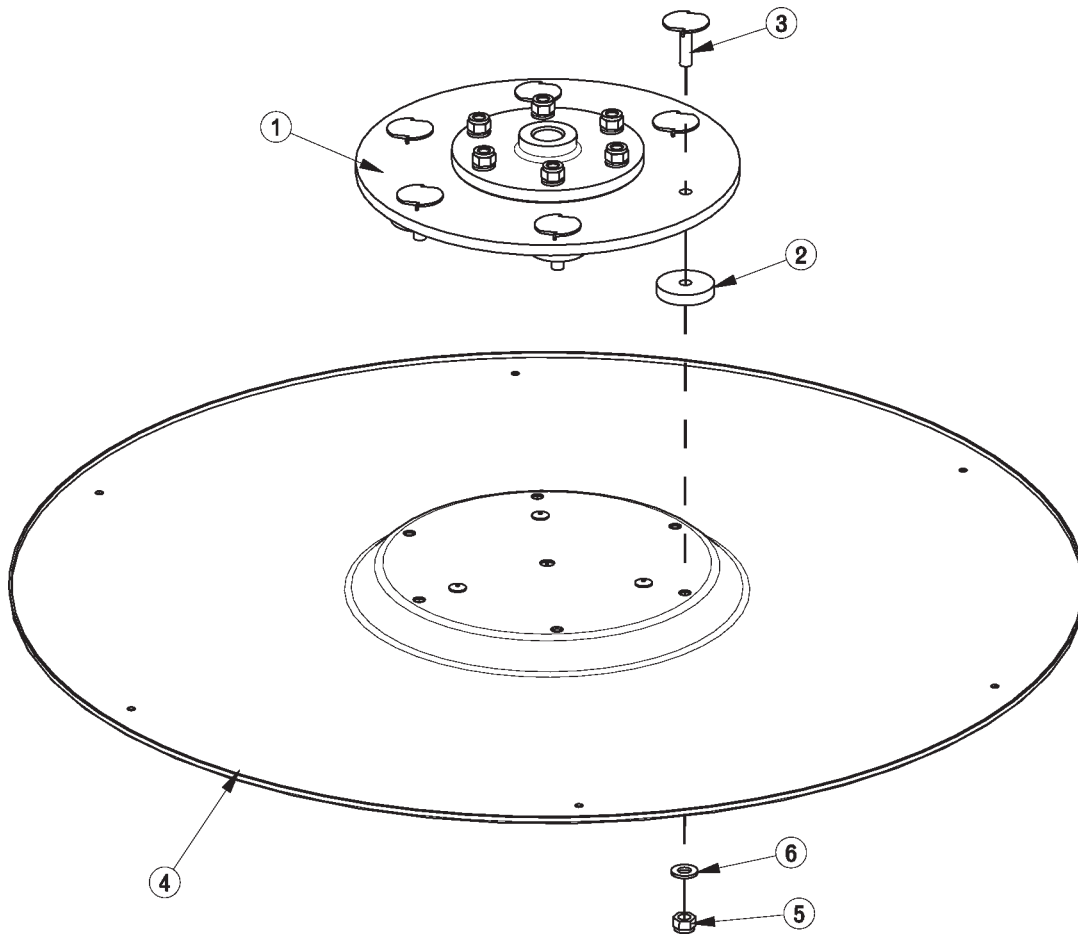
BILL OF MATERIAL			
ITEM	PART NO.	REQ'D	DESCRIPTION
1	200039	1	BAIL STOP RH
2	200040	1	BAIL STOP LH
3	200184	1	SWITCH BRACKET WELDMENT
4	200338	2	CAM WELDMENT
5	200340	2	SPACER, SCR BOARD
6	220324	2	SPRING
7	280356	1	WELDMENT, CONSOLE BRACKET
8	280365	1	PLATE, CONSOLE COVER
9	280371	1	PANEL, LUMINA 28 E-STOP
10	670092	2	HEYCO BUSHING 1-1/2
11	670093	1	SPRING, COMPRESSION
12	710180	2	SCR-MC TR HD 1/4-20x.75 STL ZINC
13	710195	6	SCR-MC 5/16-18 X .50
14	710207	6	SCR-MC 6-32 X .87 ZINC
15	710534	2	SCR-MC TR HD 8-32 X 1.00 SS
16	711004	2	SK-CUP PT 1/4-20 X .25 STL BLACK
17	711160	15	#10 X 5/8 HI-LO
18	711310	1	NUT, HEX 10-32 ST PL
19	711372	2	NUT-NYLOC 8-32 STL ZINC
20	711425	1	NUT, HEX 1/4-20 WIZNUT
21	711430	3	NUT-TINNERMAN TWIN 6-32
22	711505	2	WSR-FLAT 1/4
23	711534	1	WSR-EXTERNAL LOCK #10
24	711544	2	WSR-HELICAL 1/4
25	711721	6	RET RING-E TYPE .312
26	712540	8	SCR-MC TR HD 10-24 X .37 SS
27	712562	2	BOLT-HH 1/4-20X3/4 SS
28	712569	1	SCR-MC TR HD 1/4-20 X 1.50 SS
29	715257	1	DECAL, "FORWARD" M2700
30	715258	1	DECAL, "REVERSE" M2700
31	715460	1	DECAL, LUMINA 28 MAIN
32	740029	1	SWITCH, PB SPST NO 25A 125/250 V
33	740803-1	1	SPEED CONTROL 36V 1203A-304
34	742202	1	EMERGENCY STOP SWITCH
35	743832	1	WIRE ASSEMBLY
36	743916	1	DASH ASY, W/ WIRES LUMINA 28"
37	743966	1	WIRE ASY, GREEN/YELLOW 16G
38	762400	1	HEYCO BUSHING 2.00"
39	805637	1	SCR INSULATOR
40	829052	4	BUSHING FLANGED NYLON .312 ID
41	200104MCH	1	HANDLE CONSOLE 200
42	200181CTD	2	HANDLE WIRE COATED
43	200190CTD	1	LEVER, SWITCH
44	833329SA	2	SWITCH, DPDT STAGGERED ACTION



BILL OF MATERIAL - 743916			
ITEM	PART NO.	REQ'D	DESCRIPTION
1	280369	1	PLATE, LUMINA 28 DASHBOARD
2	715444	1	DECAL, LUMINA 28 CONTROL PANEL
3	740135	1	METER, 100A DC (PRESSURE)
4	743804	1	POTENTIOMETER ASSY 200TD
5	746103	1	GAUGE, BATTERY/HOUR W/RELAY
6	747024	1	KEYSWITCH, SPST ES2832 SOLDER
7	748152	1	SWITCH, ON-OFF-ON, SCV2832
8	809874	1	KNOB, SPEED CONTROL

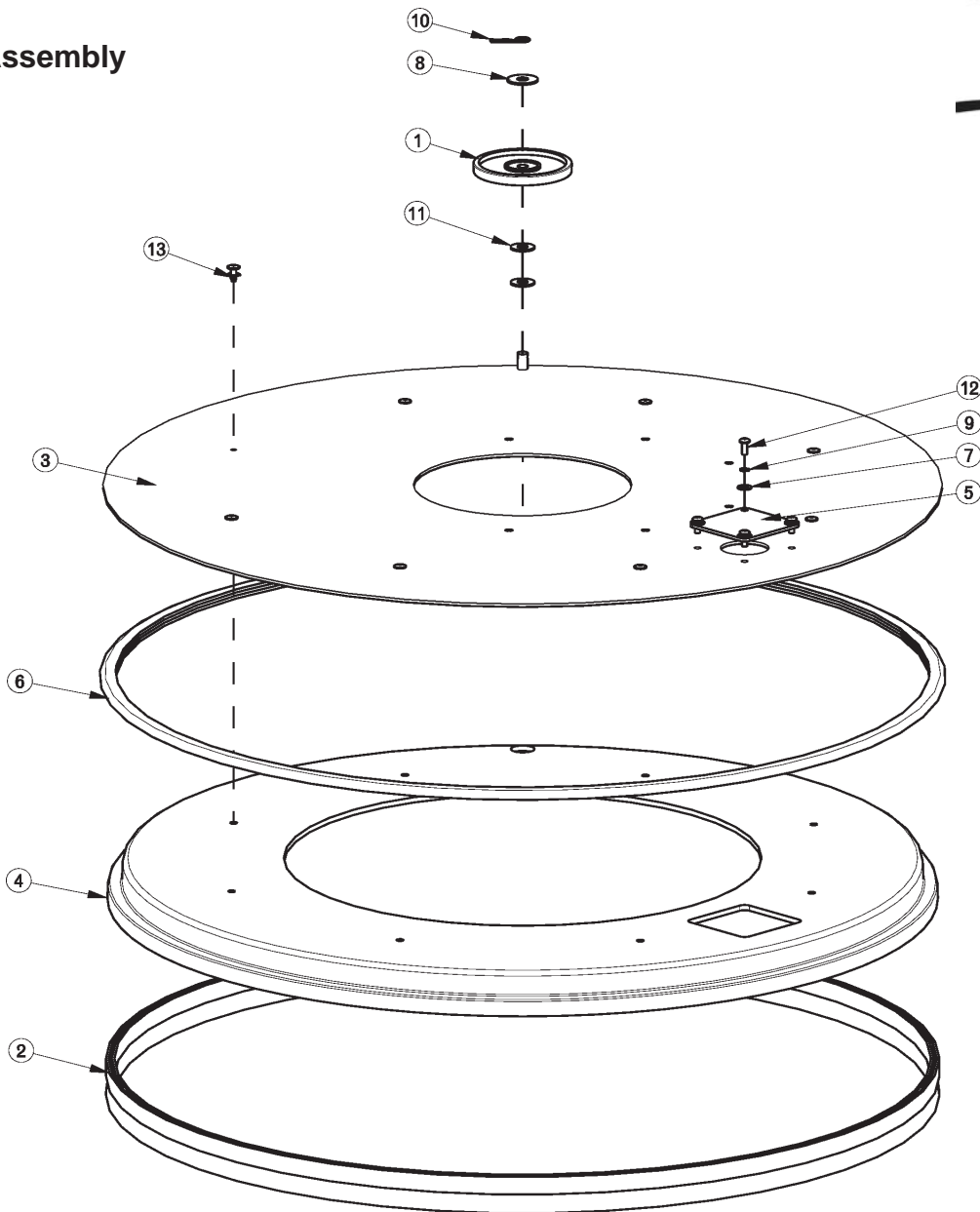


BILL OF MATERIAL - 280363			
ITEM	PART NO.	REQ'D	DESCRIPTION
1	280361	1	DRIVE SHAFT PAD DRIVER
2	711719	2	RETAINING RING EXT 1.00
3	762093	2	BEARING 6205
4	220023MCH	1	BEARING HOUSING, PROPANE



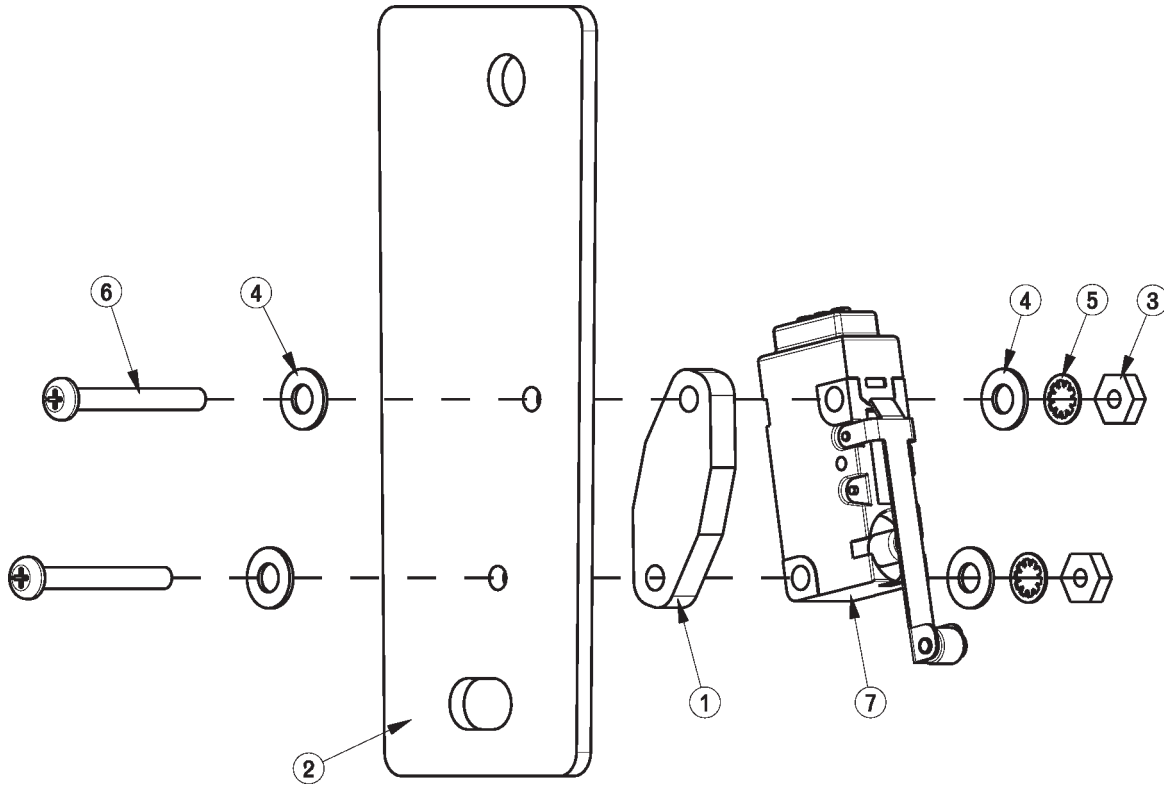
BILL OF MATERIAL - 220153			
ITEM	PART NO.	REQ'D	DESCRIPTION
1	220017	1	GIMBAL ASSEMBLY COMPLETE
2	220019	6	GIMBAL SPACER DISC
3	220020	6	BLT SPEC ELEV 5/16X1.12
4	220060	1	PAD DRIVER ASSY 28 IN.
5	711374	6	NUT-NYLOC 5/16-18
6	711506	6	WSR-FLT .344 X .690 X .062 STL Z

# Pad Shroud Assembly



BILL OF MATERIAL - 280397			
ITEM	PART NO.	REQ'D	DESCRIPTION
1	210153	1	ROLLER WHEEL
2	280348	1	SKIRT- BURNISHER
3	280381	1	WELDMENT, SHROUD MOUNTING PLATE
4	280382	1	SHROUD, 28" VAC FORM
5	280402	1	LUMINA 28" INTAKE COVER PLATE
6	280403	1	EDGING, LUMINA 28"
7	711503	4	WSR, FLAT#10
8	711507	1	WSR-FLAT .37 X 1.12 X .06
9	711543	4	WSR-HELICAL #10
10	711808	1	COTTER PIN-HAIR #13
11	712301	2	WSR-FLAT .37 X .87 X .06
12	712811	4	SCR-MC RD HD 10-24 X .50 ST PL
13	828893	8	RIVET-POP

# Switch Plate Assembly



BILL OF MATERIAL - 280433			
ITEM	PART NO.	REQ'D	DESCRIPTION
1	280430	1	SPACER PLATE - SWITCH
2	280431	1	MOUNTING PLATE - SWITCH
3	711428	2	NUT-HEX 4-40
4	711501	4	WSR-FLAT # 6
5	711596	2	WSR-INT LOCK #4
6	711604	2	SCR-MC PAN HD (PHILLIPS) 4-40x1.00 ZINC
7	747603-2	1	SWITCH ASY, MICRO ROLLER W/PACK/CONDUIT