

1500 Burnisher

Model:

M20130-00 (115V)

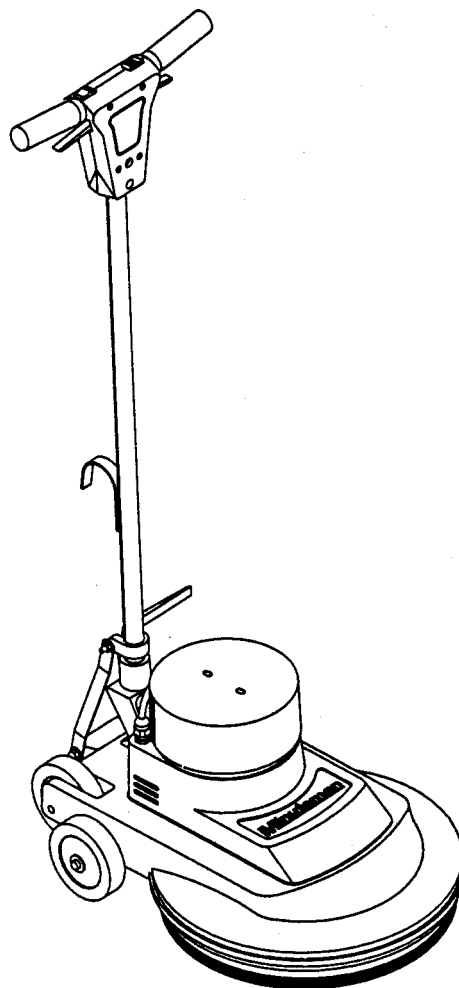
M20130-01 (230V)

OPERATION

SERVICE

PARTS

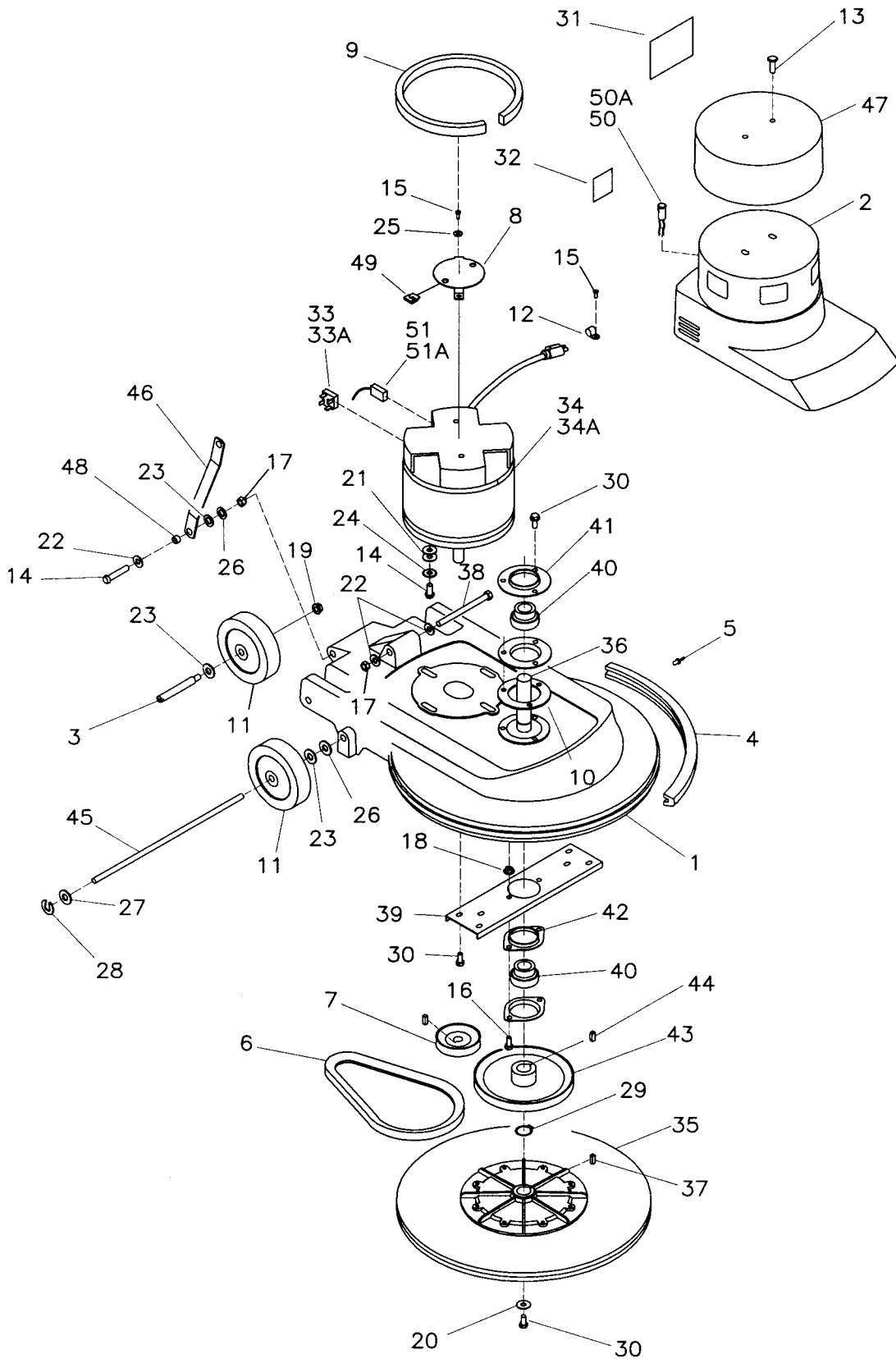
CARE



Revised 1/04

Minuteman[®]

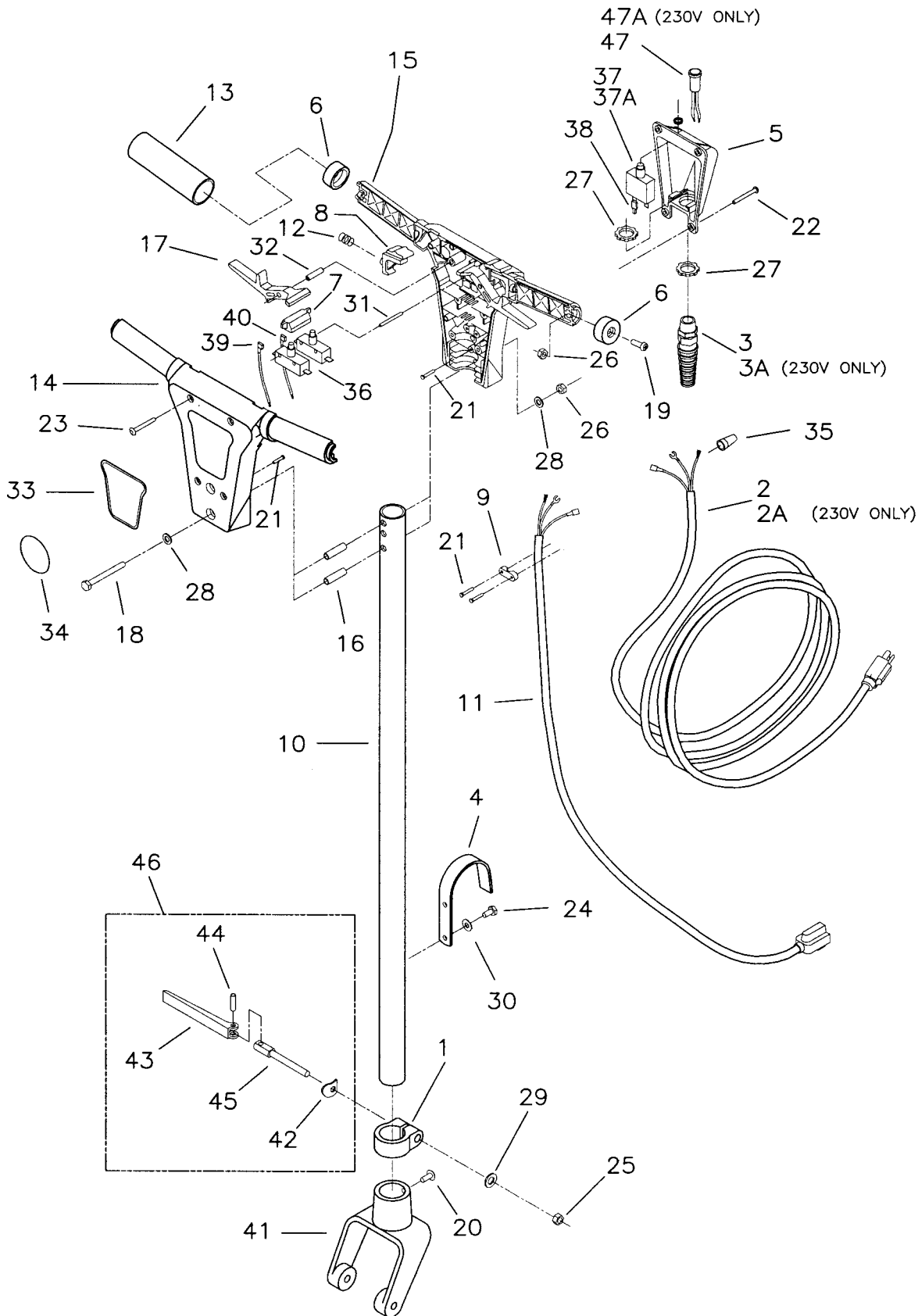
BASE ASSEMBLY



PARTS LIST

Item	Part No.	Qty.	Description
1	150200PTD	1	HS Casting Painted
2	150201	1	Motor Cover
3	150202	2	Wheel Axle
4	150203	1	Bumper
5	150204	7	Anchor Rivet
6	150205	1	Cog Belt VL-290
7	150206	1	4L Pulley
8	150208	1	Motor Bracket
9	150209	1	Foam Tape
10	150210	1	Spacer, Bearing Mount
11	150211	4	Wheel 5 in.
12	381052	1	Plastic Clamp
13	710196	2	SCR-MC 5/16-18 x .62
14	710986	6	SCR-SC 3/8-16 x 1.00
15	711124	3	SCR-ST-B 10 x .37
16	711227	2	BLT-HH 5/16-18 x .62
17	711375	3	Nut-Nyloc 3/8-16 1/2
18	711379	2	Nut-Flanged Wizz 5/16-18
19	711439	2	Nut-Flanged Wizz 3/8-16
20	711507	2	WSR-Flat .37 x 1.12 x .06
21	711508	8	Flat Washer
22	711515	4	WSR-Flat .406 x .812 x .0625
23	711524	6	WSR-Wave .52 x .87 x .01
24	711546	4	Helical Washer
25	711554	2	WSR-Internal Lock 1/4
26	711592	4	WSR-Nylon
27	711594	2	WSR-Flat .56 x .88 x .03
28	711713	2	Retaining Ring Ext. .50
29	711719	1	Retaining Ring Ext. 1.00
30	712042	10	Bolt-WSR HH 5/16-18 x .62
31	715062	1	Decal - General Warning
32	715067	1	Decal Brush Wear Indicator
33	740202	1	Rectifier Bridge 50A 600V
33A	740203	1	Rectifier Bridge 50A 1000V
34	742115	1	Motor 1.5 HP 115V 66FR
34A	742230	1	Motor 1.5 HP 230V 66FR
35	750076	1	Pad Driver Assembly
36	760029	1	Drive Shaft
37	760043	1	Key .187 x .187 x .675
38	760261	1	Bolt, Handle Yoke
39	762052	1	Bracket, Driver
40	762110	2	Bearing w/Collar
41	762112	2	Flangette 3 Point
42	762114	2	Flangette 2 Point
43	762118	1	Pulley, Drive
44	762120	1	Key, Woodruff 1/4 x 3/4
45	762217	1	Axle 18"
46	807248	2	Handle Brace
47	829194	1	Motor Top Cover
48	832122	2	Spacer
49	832829	2	Nut U Type 5/16 x 18
50	832859-1	1	Indicator Light Assembly 115V ASM
50A	742313-1	1	Indicator Light Assembly 240V ASM
51	762160	4	Brush, Carbon 115V
51A	740281	4	Brush, Carbon 240V

HANDLE ASSEMBLY 150116/150221



PARTS LIST

Item	Part No.	Qty.	Description
1	16224	1	Handle Clamp
2	150002	1	Grey Cord Set, 115V
2A	740600	1	Cord Set, 240V
3	150003	1	Strain Relief, 115V
3A	150004	1	Strain Relief, 240V
4	170040PLT	1	Cord Hook Plated
5	190005MCH	1	Electrical Box Rear 2HLE
6	190006	2	End Cap
7	190008	1	Switch Cap
8	190009B	2	Safety Button
9	190010	1	Strain Relief
10	190012	1	Handle Tube Plated
11	190013	1	Cord Assy
12	190015	2	Trigger Spring
13	190016	2	Foam Grip
14	190022	1	Switchbox Cover Front
15	190023	1	Switchbox Cover Rear
16	190029	2	Bushing
17	190033B	2	Switch Trigger Lg Black
18	710186	2	SCR-MC 1/4-20 x 2.25 TH
19	710380	2	SCR-MC 1/4-20 x .75
20	710579	2	SCR-MC 1/4-20 x .62
21	711128	4	SCR-Hi/Lo #8
22	711160	4	SCR-Hi/Lo 10 x .63
23	711162	4	SCR-Hi/Lo 10 x 1.50
24	711202	2	Bolt-HH 1/4-20 x .50
25	711374	1	Nut-Nyloc 5/16-18
26	711387	2	Nut-Nyloc 1/4-20 1/2 Nut
27	711400	2	Nut-Pipe Lock 1/2
28	711504	2	WSR-Flat 1/4
29	711506	1	WSR-Flat 5/16
30	711544	2	WSR-Helical 1/4
31	711619	2	Roll Pin 1/8 x 1.75
32	711620	2	Roll Pin 1/4 x 1.25
33	715175	1	Decal, Minuteman Runner
34	715501	1	Decal, "Made in USA"
35	741129	3	Splice, Crimp
36	740029	2	Switch 1.5 HP
37	740220	1	Circuit Breaker 20 amp (115V)
37A	740106	1	Circuit Breaker 9 amp (230V)
38	740254	1	Piggyback Terminal
39	740361	1	Wire Assembly - White
40	740362	1	Wire Assembly - Black
41	803379	1	Yoke
42	806555	1	Washer Cam
43	806558	1	Kick Lever
44	806561	1	Dowel Pin
45	807190	1	Bolt Cam
46	807674	1	Kick Lever Kit
47	832859	1	Indicator Light, 115V
47A	742313	1	Indicator Light, 240V