

# BPV Back Pack Vacuum

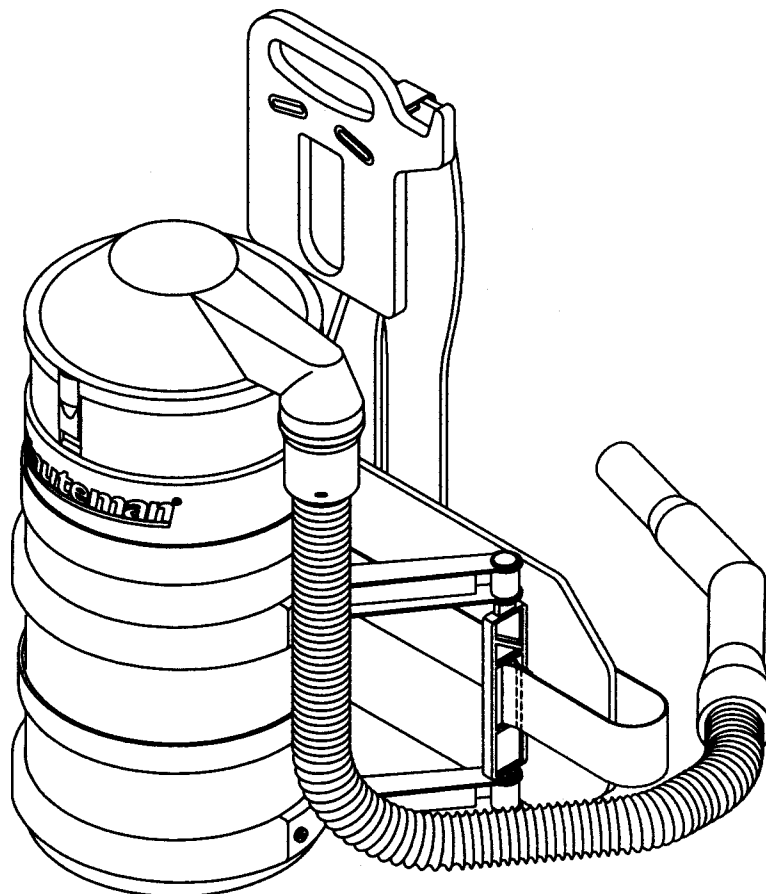
Model: C47185-00 115V  
C47185-01 230V  
C47400-00 115V, 400 HZ  
C47195-00 115V  
C47195-01 230V  
C47190-00 115V  
C47190-01 230V  
C47185-01CE 230V  
C47185-01CEUK 230V  
C47195-01CE 230V  
C47190-01CE 230V

OPERATION

SERVICE

PARTS

CARE



Revised 8/03

**Minuteman**<sup>®</sup>

## FITTING THE PAPER BAGS

1. REMOVE THE LID.
2. OPEN UP THE PAPER BAG AND FIT INSIDE CLOTH FILTER (FIG.1)
3. THEN FIT THE PAPER BAG RING INSIDE THE PAPER BAG
4. GENTLY REST THE PAPER BAG RING ON THE LIP OF THE CLOTH BAG (FIG. 2)
5. GENTLY FOLD THE TOP OF THE PAPER INWARDS OVER THE PAPER BAG RING (FIG. 3)

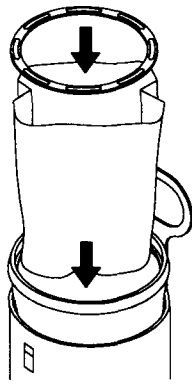


FIG. 1

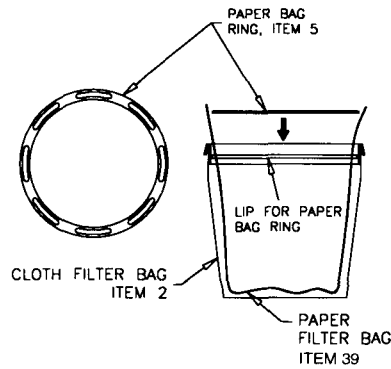


FIG. 2

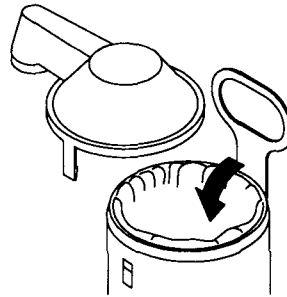


FIG. 3

## REMOVING THE PAPER BAGS

1. REMOVE THE LID.
  2. GRAB THE PAPER BAG WITH THE BAG RING (FIG.4).
  3. HOLD OVER RUBBISH BIN AND PULL OUT THE PAPER BAG RING THEN DISPOSE THE PAPER BAG (FIG. 5)
- DO NOT THROW OUT THE PAPER BAG RING - IT IS TO BE RE-USED

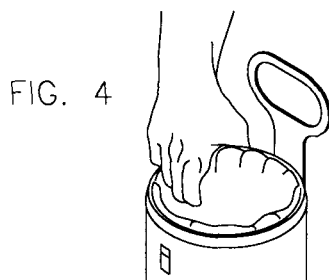


FIG. 4

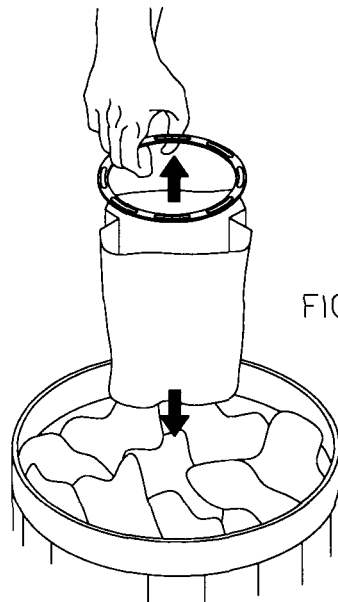
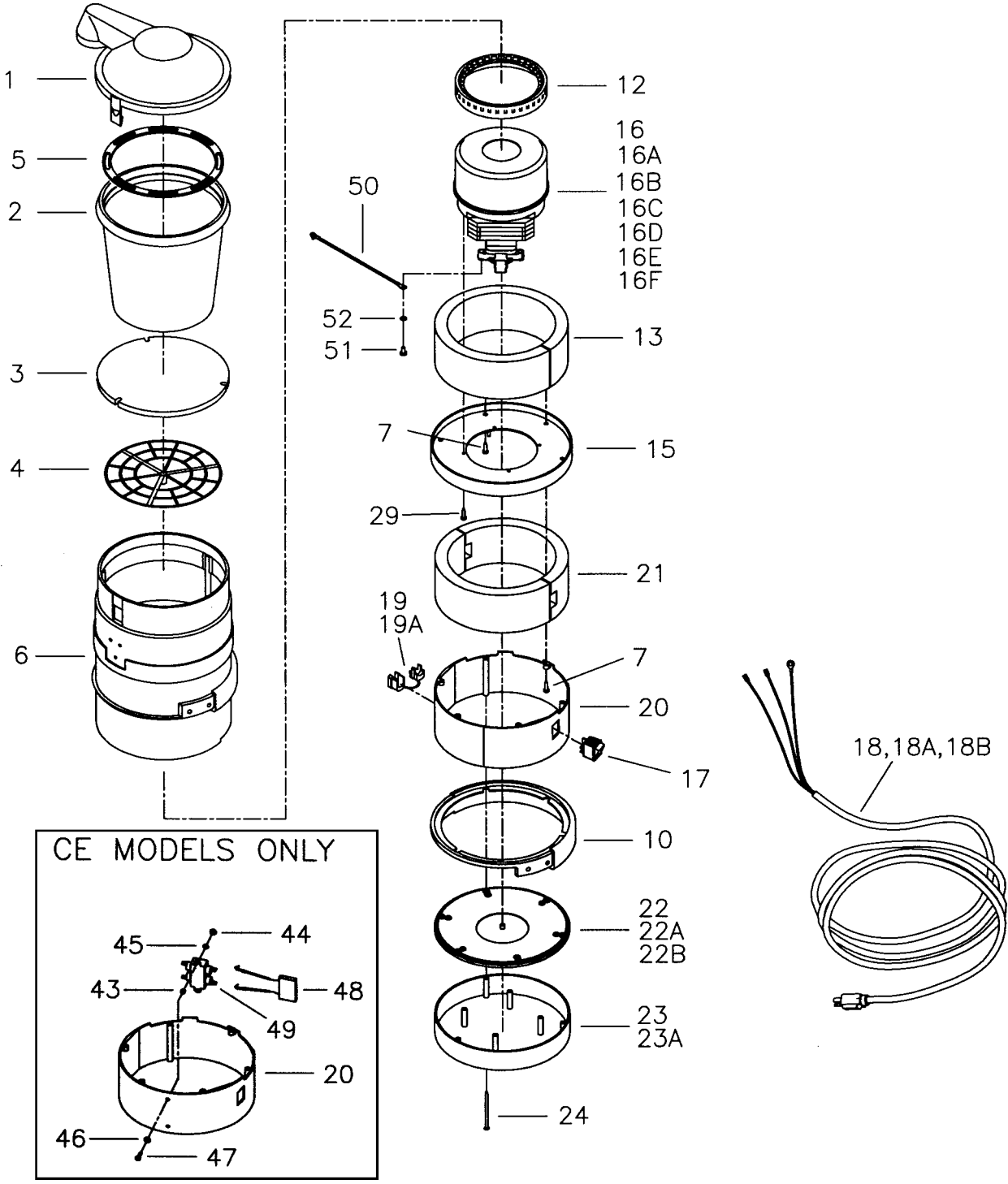


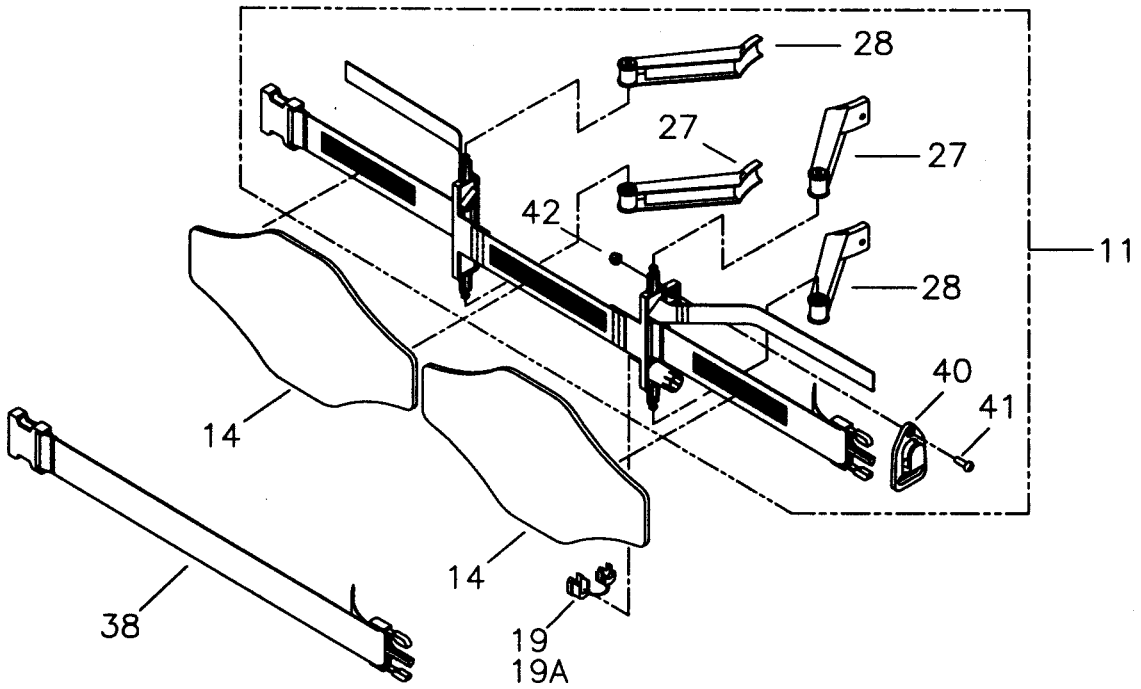
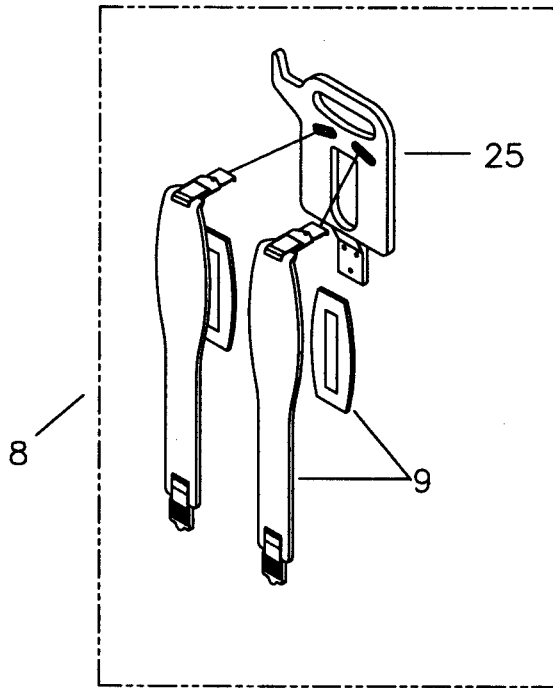
FIG. 5

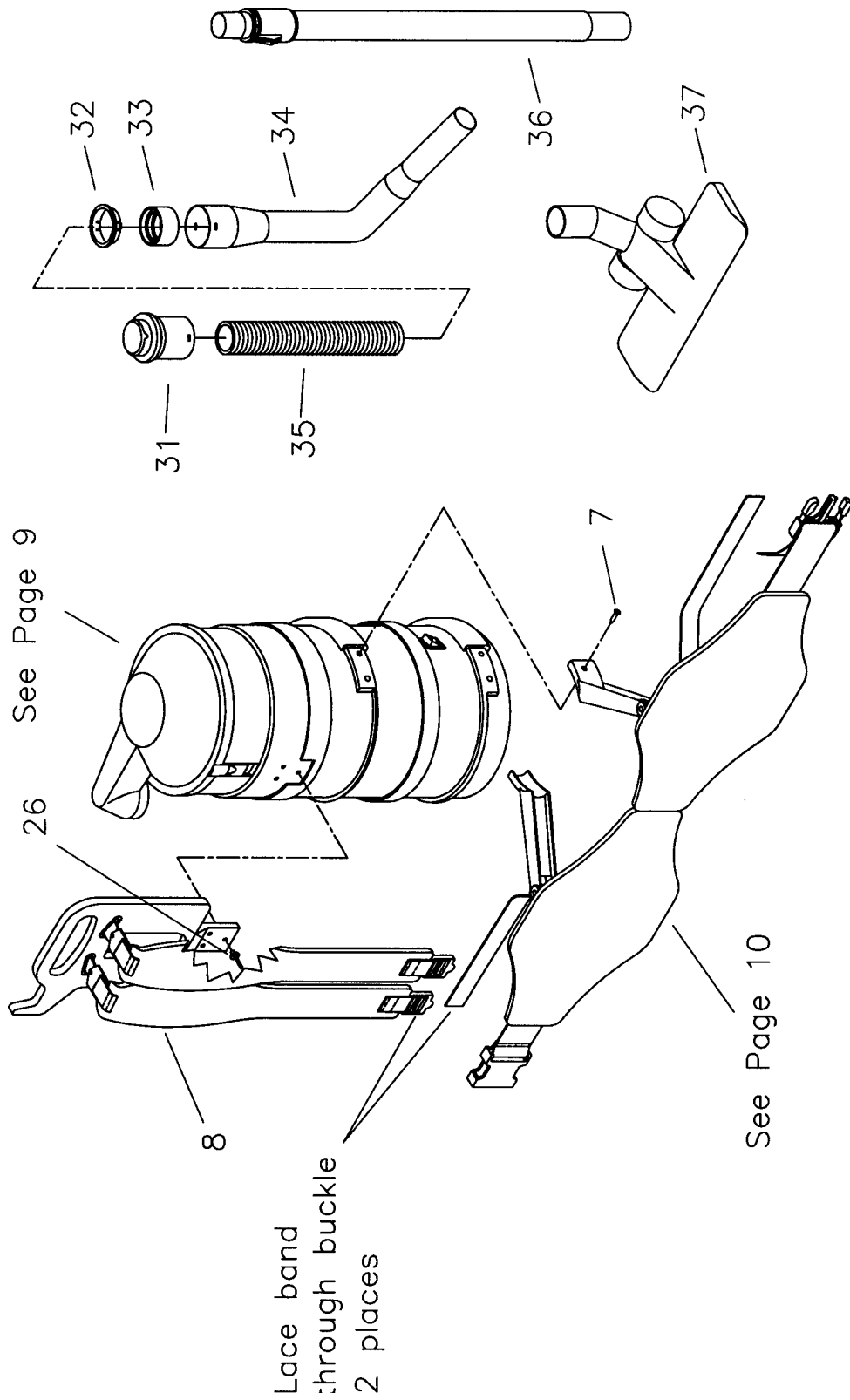


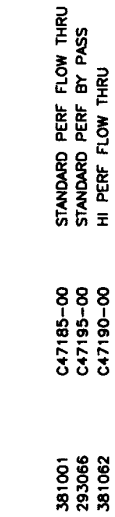
# Parts List

Item	Part No.	Qty.	Description
1	293015	1	Inlet Cover Assembly
2	293017	1	Filter Bag
3	293018	1	Filter Disc
4	293019	1	Support Stand
5	293062	1	Filter Bag Ring
6	293075	1	Canister Assembly
7	293022	14	Screw #10 x 1.00
8	293065	1	Harness and Handle Assembly
9	293049	1	Shoulder Harness Assembly
10	293025	1	Bumper
11	293073	1	Back Pad Adjust Strap Assembly
12	293026	1	Motor Gasket
13	293028	1	Insulation, Top
14	293074	2	Back Pad
15	293030	1	Motor Support Disc
16	381001	1	Vac Motor 115V, Flow Thru
16A	381044	1	Vac Motor 230V, Flow Thru
16B	381062	1	Vac Motor 115V, H/P Flow Thru
16C	293066	1	Vac Motor 115V, Bypass
16D	293070	1	Vac Motor 230V, Bypass
16E	741028	1	Vac Motor 400 HZ, Flow Thru
16F	293077	1	Vac Motor 230V, H/P Flow Thru
17	740711	1	Switch
18	381020	1	Cord 120V, 50'
18A	740083	1	Cord 230V, 40'
18B	741019	1	Cord UK Plug, 50'
19	293080	2	Strain Relief (115V & UK Cord)
19A	380032	2	Strain Relief (230V Cord)
20	293031	1	Motor Shroud, Bottom
21	293032**	1	Insulation, Bottom
22	293033	1	End Disc, Bottom Flow Thru
22A	293068	1	End Disc, H/P Flow Thru
22B	293027	1	End Disc, Bottom Bypass
23	293034	1	Bottom Cap, Flow Thru
23B	293069	1	Bottom Cap, Bypass
24	293035	3	Screw CSK S/T #8 x 2.25
25	293036	1	Carry Handle
26	293037	3	Rivet
27	293067	2	Frame Bracket (Bottom RHS, Top LHS)
28	293072	2	Frame Bracket (Top RHS, Bottom LHS)
29	293047	2	Screw TEK #10 x 5/8"
30			
31	293058	1	Swivel Cuff
32	293059	2	Clip Ring
33	293060	2	Screw on Hull
34	293061	1	Pistol Grip
35	293063	1	Hose, 1.25 dia. x 4 ft.
36	270162	1	Telescoping Wand 1.25 dia.
37	293010	1	Combination Floor Tool 12"
38	293076	1	Extension Strap
39	293012PKG		Filter Bag, pkg. of 10
40	293092	1	Cord Strain Relief
41	710380	1	SCR-MC 1/4-20 x .75 STPL
42	711373	1	Nut-Nyloc 1/4-20
			CE Models ONLY
43	293083	2	Spacer .14 x .25 x .125 Nylon
44	711301	2	Nut-Hex 6-32 ST PL
45	711551	2	WSR-INT Lock #6
46	711597	2	WSR-Flat #6 x 3/8 Nylon
47	712123	2	SCR-BHMS #6-32 x .50 Nylon
48	740613	1	Capacitor Ass'y, 1UF
49	742391	1	RFI Filter
			UK Models ONLY
50	741195	1	Ground Wire
51	711124	1	SCR-ST-B 10 x .37 NI
52	711534	1	WSR-Ext Lock #10

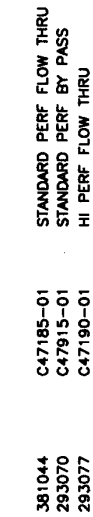
\*\*Not Used In By-Pass Model



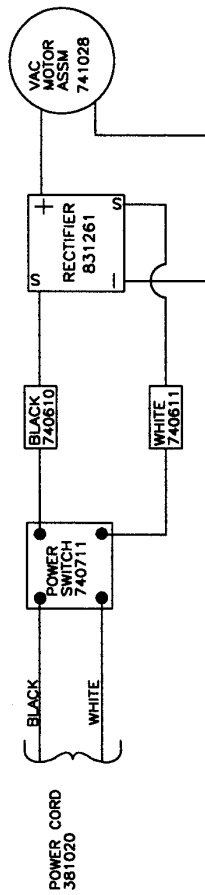




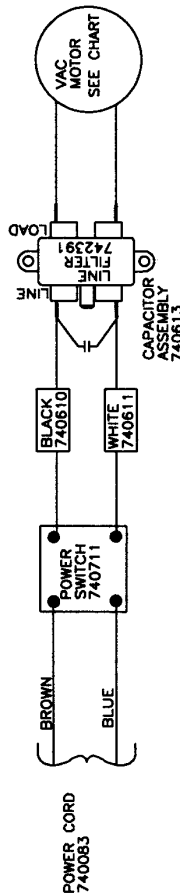
WIRING DIAGRAM 115 VOLT



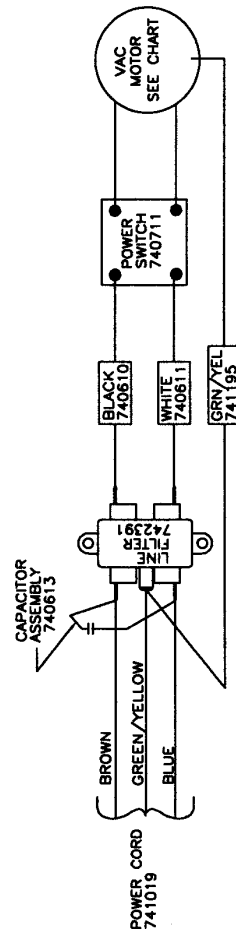
WIRING DIAGRAM 230 VOLT



WIRING DIAGRAM 115 VOLT 400HZ



WIRING DIAGRAM CE 230 VOLT



WIRING DIAGRAM CE 230 VOLT U.K. MODEL