

**Minuteman<sup>®</sup>**  
Excellence Meets Clean



**Parts and Instruction Manual**  
**EX12 Carpet Extractor**

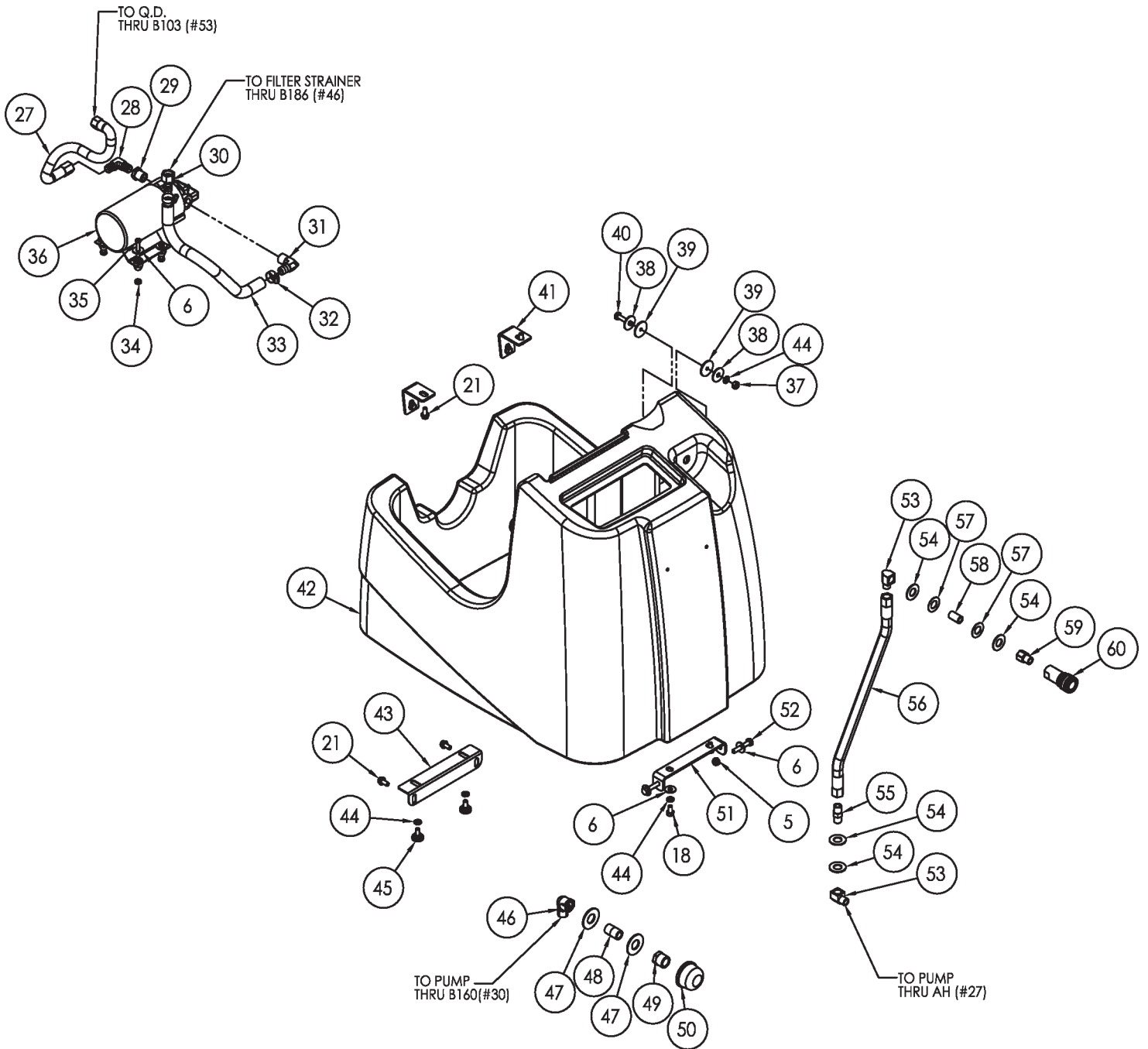
[www.minutemanvac.com](http://www.minutemanvac.com), a division of Enviro Safety Products | 1.800.637.6606

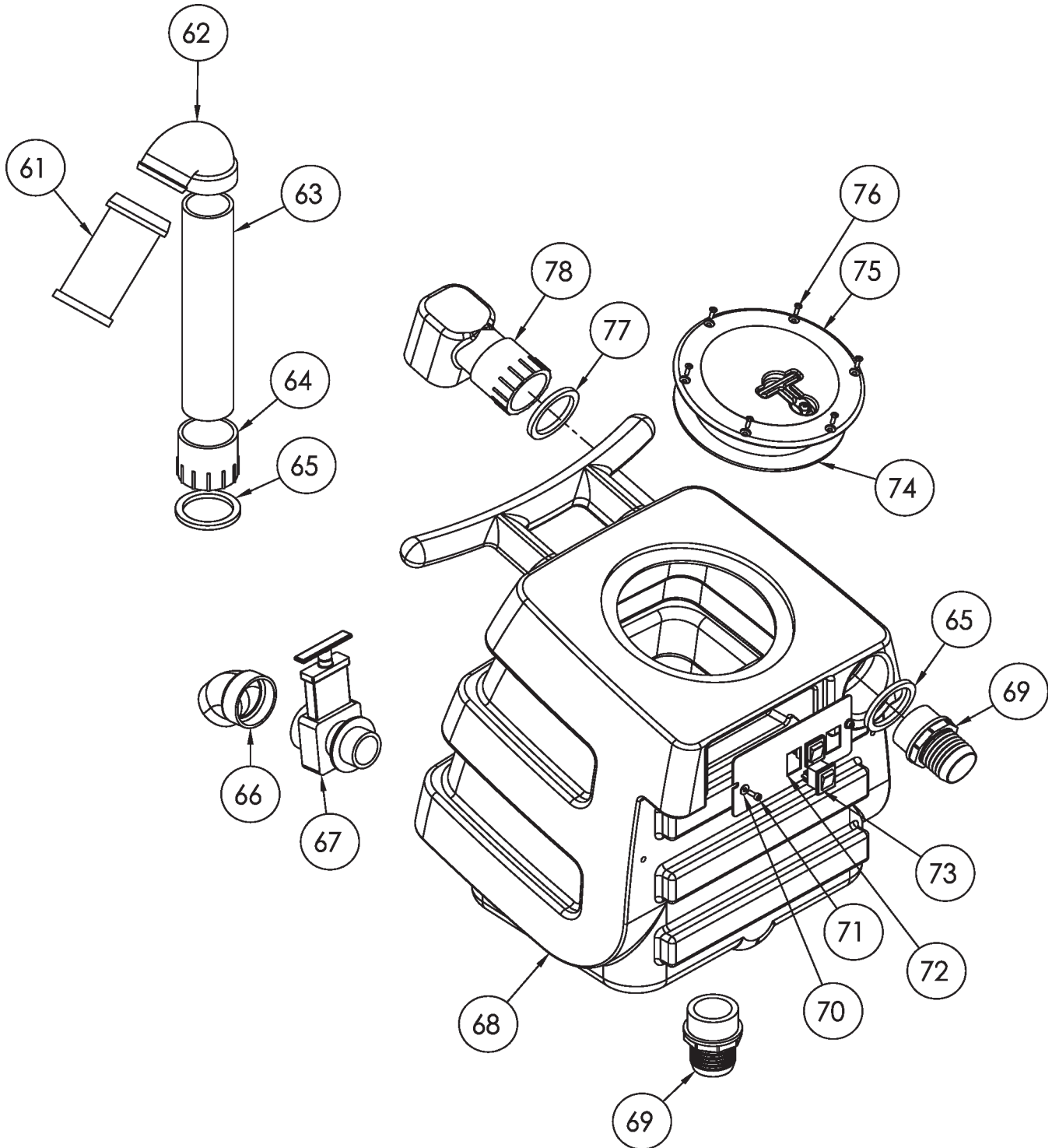
# Table of Contents

<b>Safety Precautions</b> .....	<b>1</b>
<b>Grounding Instructions</b> .....	<b>1</b>
<b>Safety Labels</b> .....	<b>2</b>
<b>Electrical Requirements</b> .....	<b>2</b>
<b>Machine Components</b> .....	<b>2</b>
<b>Machine Set Up</b> .....	<b>3</b>
<b>Operation</b> .....	<b>4</b>
<b>Draining Recovery Tank</b> .....	<b>4</b>
<b>Machine Maintenance</b> .....	<b>4</b>
Maintenance .....	4
Weekly Maintenance .....	4
<b>Troubleshooting</b> .....	<b>5</b>
<b>Storing Machine</b> .....	<b>5</b>
<b>Exploded Views</b> .....	<b>7</b>
EX12 - Base Assembly .....	7
EX12 - Solution Tank Assembly .....	8
EX12 - Recovery Tank Assembly .....	9
EX12 - Bill Of Materials .....	10
EX12H - Base Assembly .....	11
EX12H - Solution Tank Assembly .....	12
EX12H - Recovery Tank Assembly .....	13
EX12H - Bill Of Materials .....	14
<b>Minuteman International Made Simple Commercial Limited Warranty</b> .....	<b>15</b>



# EX12 - Solution Tank Assembly



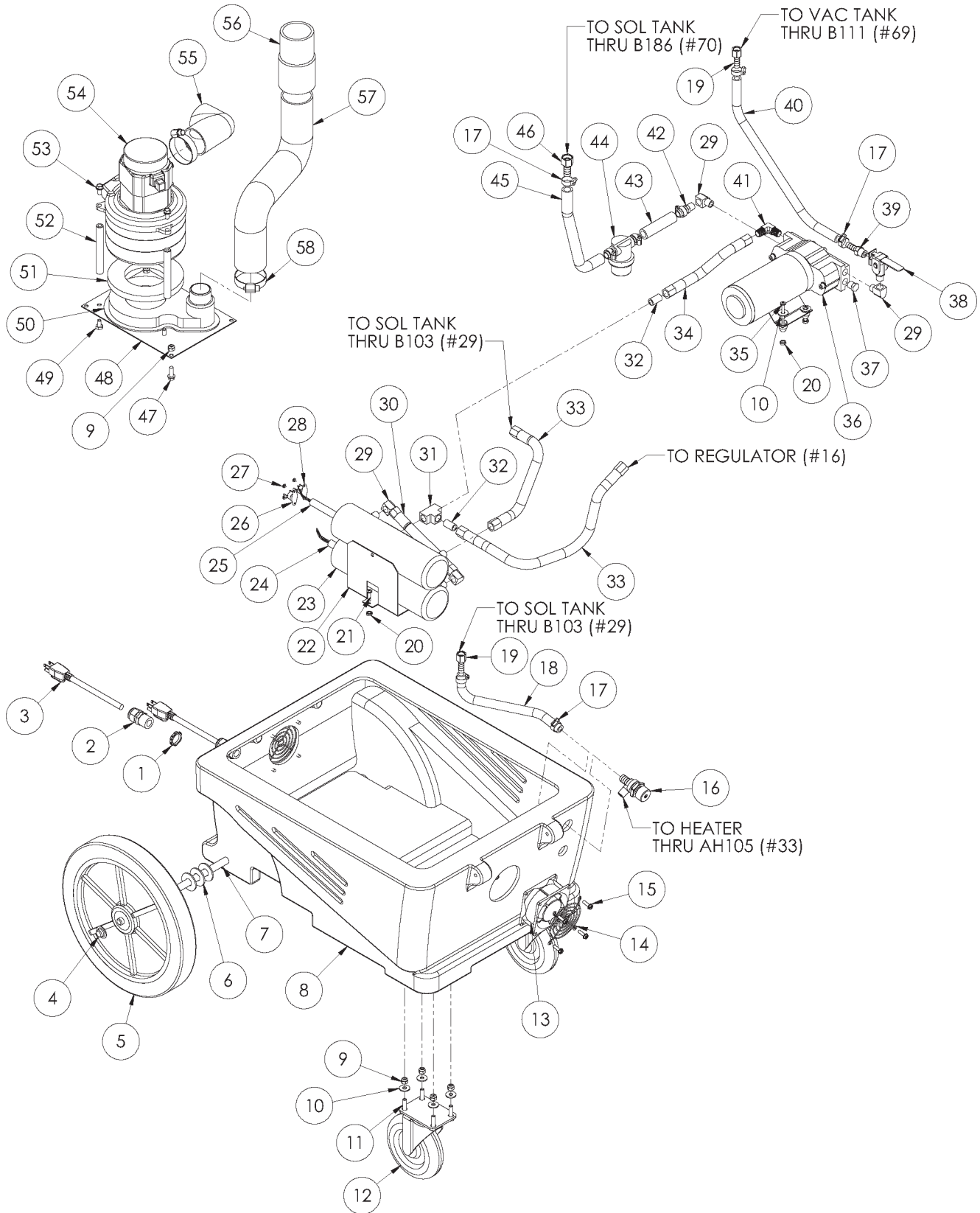


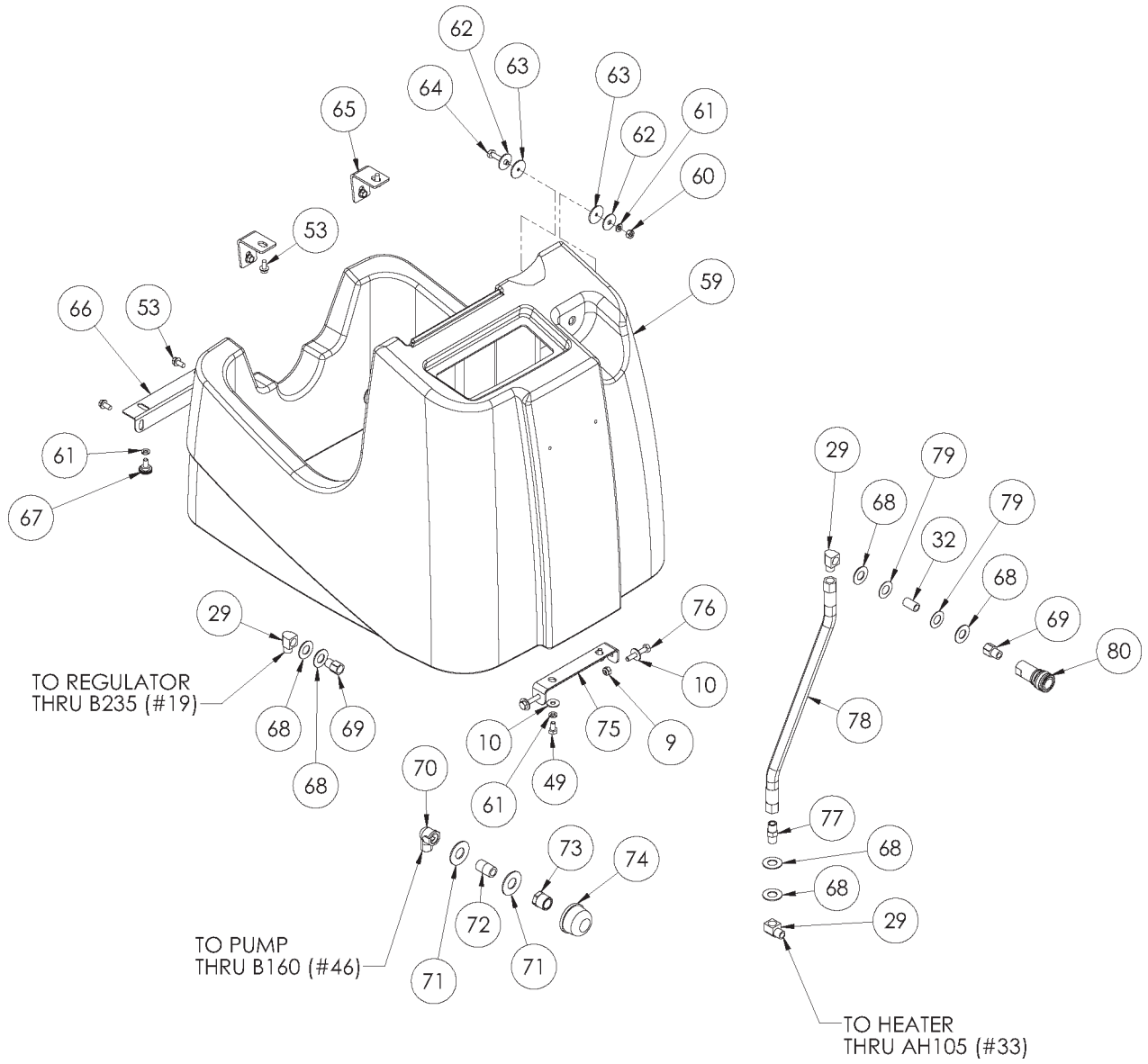


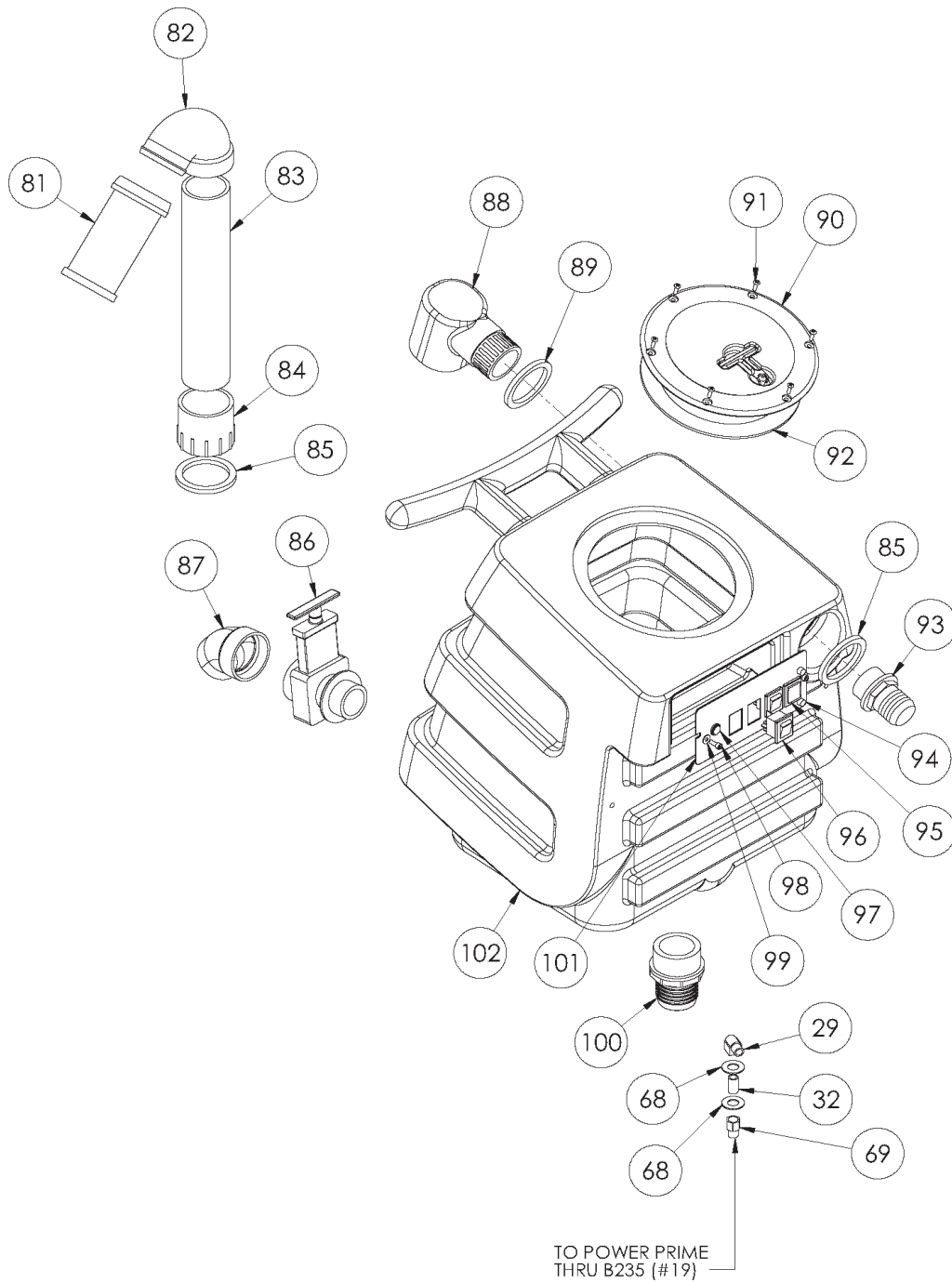
Bill Of Material - EX12

Item	Part No.	Qty.	Description	Item	Part No.	Qty.	Description
1	121052	2	cap, axle, 1/2"	40	121155	2	bolt, 1/4-20 x 1-1/4" hex head
2	121059	2	wheel, 12"	41	121119	2	Bracket, L 070-036
3	121167	6	washer, axle, cut 1/2" id	42	121209	1	sol tank, speedster
4	121066	1	axle, 1/2" x 18-1/2", sp, breeze	43	121075	1	bracket, rear, fb/spy
5	121162	12	nut, lock, 1/4-20, nylon insert	44	121160	6	washer, 1/4" lock, s/s
6	121157	16	washer, 1/4" flat, s/s	45	121076	2	knob, thumb screw, for bracket
7	121175	8	bolt, 1/4-20 x 1" hex head, s/s	46	121018	1	elbow, brass, 90 deg, 3/8"mpt x 3/8" fmpt
8	121073	2	caster, 5"	47	121173	2	washer, 11/16" id x 1-1/2" od x .075, s/s
9	121208	1	base, speedster	48	121020	1	nipple, brass, 3/8" x close
10	121061	2	guard, cooling fan, wire	49	121019	1	bushing, brass, 1/2"mpt x 3/8" fpt, hex
11	121203	8	screw, #10 x 5/8" hex head, zinc	50	121012	1	filter, strainer, 1/2"
12	121163	1	nut, lock, 1/2" steel	51	121068	1	bracket, front hinge, sp/fb
13	121053	1	fitting, strain relief, cord	52	121202	2	bolt, 1/4-20 x 1-1/2" hex head, s/s
14	121032	1	power cord, end, 25', 14/3 grey	53	121005	2	elbow, brass, 90 deg, 1/4"mpt x 1/4" fpt
15	121181	2	bolt, 1/4-20 x 3/4" serrated hex flange, zinc	54	121159	4	washer, 9/16" id x 1" od, flat, s/s
16	121117	1	plate, single manifold, 6.5" x 9"	55	121008	1	nipple, brass, 1/4"m, hex
17	121211	1	manifold, single vac	56	121149	1	hose, 3/8" x 17-1/2", (OAL), f x -fsw, surge, 1600psi
18	121154	5	bolt, 1/4-20 x 1/2" hex head, zinc	57	121177	2	washer, nylon, 9/16id x 1-1/16od x .031
19	121038	1	gasket, vacuum motor	58	121007	1	nipple, brass, 1/4" x close
20	121125	3	vac support, 3 stage, 4-1/16"	59	121010	1	adapter, brass, extender, 1/4" mpt x 1/4" fpt, hex
21	121182	9	bolt, 1/4-20 x 1/2" serrated hex flange, zinc	60	121004	1	qd, brass, 1/4" f
22	121021	1	vac motor, 3 stage, 115V, tangential	61	121069	1	float, 2", ball style
23	121042	1	exhaust boot, plastisol	62	121077	1	elbow, 2" float
24	121126	1	cuff, 2"	63	121135	1	pipe, pvc, 2"
25	121192	1	vac hose, 2", wire reinforced	64	121137	1	adaptor, pvc 2, fmsl x fmt
26	121051	2	clamp, hose, 2-1/4 DIA	65	121200	2	gasket, 2" inlet polyethylene, 3" OD 2.35" ID
27	121196	1	sol hose, 1/4" x 24 1/2", (OAL), f x fsw, 3000psi	66	121055	1	spout, drain, 45 degree
28	121014	1	elbow, brass, 90 deg, 1/4" mpt x 1/4" mpt	67	121054	1	valve, drain, 1-1/2"
29	121006	1	bushing, brass, 3/8"mpt x 1/4"	68	121210	1	vac tank, speedster
30	121016	1	adapter, brass, 1/2" barb x 3/8" fsw, ball end	69	121138	2	inlet, 2"
31	121017	1	elbow, brass, 90 deg, 1/2" barb x 3/8"mpt	70	121072	2	washer, #8 flat, s/s
32	121064	2	clamp, hose, 5/16-29/32	71	121176	2	screw, #10-32 x 1/2" SHCS, alloy
33	121190	1	sol hose, 1/2" kuri 100psi	72	121063	1	plate, switch, sp, 3 hole
34	121169	4	nut, kep, #10-32 zinc	73	121028	2	switch, rocker, 2 position
35	121164	4	screw, #10-32 x 1-1/4" phil pan head, zinc	74	121217	1	gasket, vac lid, 6.5" i.d 7.5" o.d
36	121022	1	pump, 100psi, demand, 115V	75	121044	1	lid, vac tank, black, 7"
37	121161	2	nut, hex, 1/4-20 s/s	76	121174	6	screw, #8 x 5/8 phil oval, s/s
38	121158	4	washer, 1/4" id x 1" od, flat, s/s	77	121114	1	gasket, 2" inlet
39	121041	4	washer, buna 1-1/8" od x 3/16" id	78	121194	1	elbow, inlet assembly 2"

# EX12H - Base Assembly









BILL OF MATERIAL - EX12H						
ITEM	PART NO.	QTY.	DESCRIPTION	ITEM	PART NO.	QTY. DESCRIPTION
1	121163	2	NUT-LOCK 1/2" STEEL	52	121125	3 SUPPORT-VAC 3 STAGE 4-1/16"
2	121053	2	FITTING-STRAIN RELIEF CORD	53	121182	9 BOLT-SERRATED 1/4-20 X 1/2"
3	121032	2	CORD-POWER END 25' GRAY	54	121021	1 MOTOR-VAC 3 STAGE 115V TANG
4	121052	2	CAP-AXLE 1/2"	55	121042	1 EXHAUST BOOT-PLASTISOL
5	121059	2	WHEEL-12"	56	121126	1 CUFF-HOSE 2 X 2 WIRE REINFORCED
6	121167	6	WASHER-AXLE CUT 1/2" ID	57	121192	1 HOSE-VAC 2" WIRE REINFORCED
7	121066	1	AXLE-SP 1/2" x 18-1/2"	58	121051	2 CLAMP-HOSE 2-1/4 DIA
8	121208	1	BASE-SPEEDSTER BURGUNDY	59	121209	1 TANK-SOLUTION SPEEDSTER BURGUNDY
9	121162	12	NUT-LOCK 1/4-20 NYL INSERT	60	121161	2 NUT-HEX 1/4-20 S/S
10	121157	16	WASHER-FLAT 1/4" S/S	61	121160	6 WASHER-LOCK 1/4" S/S
11	121175	8	BOLT-HEX HEAD 1/4-20 X 1" S/S	62	121158	4 WASHER-FLAT 1/4" ID X 1" OD S/S
12	121073	2	CASTER-5"	63	121041	4 WASHER-BUNA 1-1/8" O.D. x 3/16"
13	121023	1	FAN-COOLING 115V	64	121155	2 BOLT-HEX HEAD 1/4-20 X 1-1/4"
14	121061	3	GUARD-COOLING FAN WIRE	65	121119	2 BRACKET-"L"
15	121203	8	SCREW-HEX HEAD #10 X 5/8" ZINC	66	121075	1 BRACKET-REAR FB/SP
16	121152	1	REGULATOR-200 PSI	67	121076	2 KNOB-THUMB SCREW FOR BRACKET
17	121064	8	CLAMP-HOSE 5/16-29/32	68	121159	8 WASHER-FLAT 9/16" ID X 1" OD
18	121226	1	sol hose, kuriyama, 3/8"	69	121010	3 ADAPTER-BRASS EXTENDER 1/4"
19	121227	2	adapter, brass, 3/8" barb x 1/4" fsw	70	121018	1 ELBOW-BRASS 90 DEG 3/8" MPT
20	121169	6	NUT-#10-32 ZINC	71	121173	2 WASHER-11/16" ID X 1-1/2"OD X .075 S/S
21	121168	2	SCREW-PHIL PH #10-32 X 3/4"	72	121020	1 NIPPLE-BRASS 3/8" x CLOSE
22	121228	1	bracket, heater mounting, dual	73	121019	1 BUSHING-BRASS 1/2" MPT x 3/8"
23	121074	2	HEATER-ALUMINUM CAST SINGLE	74	121012	1 FILTER-STRAINER 1/2"
24	121095	1	HEATING ROD-600 WATT 115V	75	121068	1 BRACKET-FRONT HINGE SP/FB
25	121030	1	HEATING ROD-1000W 115V	76	121202	2 BOLT-HEX HEAD 1/4-20 X 1-1/2" S/S
26	121035	2	THERMOSTAT- 200 DEG AUTO 1/4" V	77	121008	1 NIPPLE-BRASS 1/4" M HEX
27	121229	8	screw, #6 x 3/16, phil pan head, self-tapping	78	121149	1 HOSE-3/8" X 17-1/2" (OAL)
28	121036	2	THERMOSTAT-310 DEG F +/- 10 DEG F MAN	79	121177	2 WASHER-9/16 ID X 1-1/16 X .031 NYLON
29	121005	8	ELBOW-BRASS 90 DEG 1/4" MPT	80	121004	1 QD-BRASS 1/4" F
30	121151	1	HOSE- 3/8" X 6", (OAL)	81	121069	1 FLOAT-BALL STYLE 2"
31	121011	1	TEE-BRASS 1/4" FPT	82	121077	1 ELBOW-2" FLOAT
32	121007	4	NIPPLE-BRASS 1/4" x CLOSE	83	121135	1 PIPE-2" PVC
33	121149	1	HOSE-3/8" X 17-1/2" (OAL)	84	121137	1 ADAPTOR-2" FMSL x FMT PVC
34	121230	1	hose, 3/8" x 9" (OAL), f x f, surge, 1600psi	85	121200	2 GASKET-2" INLET POLYETHYLENE 3" OD 2.35" ID
35	121164	4	SCREW-PHIL PH #10-32 X 1-1/4" ZINC	86	121054	1 VALVE-DRAIN 1-1/2"
36	121024	1	PUMP-250 PSI BYPASS 115V	87	121055	1 SPOUT-DRAIN 45 DEG
37	121231	1	plug, brass, 1/4"mpt, hex	88	121002	1 ELBOW-INLET ASSY 1-1/2"
38	121131	1	VALVE-PRIME HIGH PRESSURE	89	121114	1 GASKET, 2" INLET
39	121232	1	adapter, brass, 3/8" barb x 1/4"mpt	90	121044	1 LID-VAC TANK 7" BLACK
40	121233	1	sol hose, kuriyama, 3/8"	91	121174	6 SCREW-PHIL OVAL #8 X 5/8 S/S
41	121014	1	ELBOW-BRASS 90 DEG 1/4" MPT	92	121217	1 GASKET-VAC LID 6.5" ID 7.5" OD
42	121234	1	adapter, brass, 1/2" barb x 1/4" mpt	93	121056	1 FITTING-INLET PVC 1-1/2"
43	121212	1	HOSE-SOLUTION 1/2" KURI 100 PSI 21"	94	121025	2 LIGHT-RED 250V
44	121104	1	FILTER CUP IN-LINE	95	121029	1 SWITCH-ROCKER 3 POSITION
45	121235	1	sol hose, 1/2" kuri 100psi	96	121028	2 SWITCH-ROCKER 2 POSITION
46	121016	1	REDUCER-BRASS SWIVEL BALL	97	121026	1 LIGHT-INDICATOR 125V AMBER
47	121181	2	BOLT-SERRATED 1/4-20 X 3/4"	98	121176	2 SCREW-SHCS #10-32 X 1/2" ALLOY
48	121117	1	PLATE-SINGLE MANIFOLD 6.5"	99	121072	2 WASHER-FLAT #8 S/S
49	121154	5	BOLT-HEX HEAD 1/4-20 X 1/2"	100	121138	1 INLET-2"
50	121211	1	MANIFOLD-SINGLE VAC	101	121065	1 PLATE-SWITCH SP 4 HOLE
51	121038	1	GASKET-VAC MOTOR	102	121210	1 TANK-VAC SPEEDSTER BURGUNDY