

# Carpet Spotter

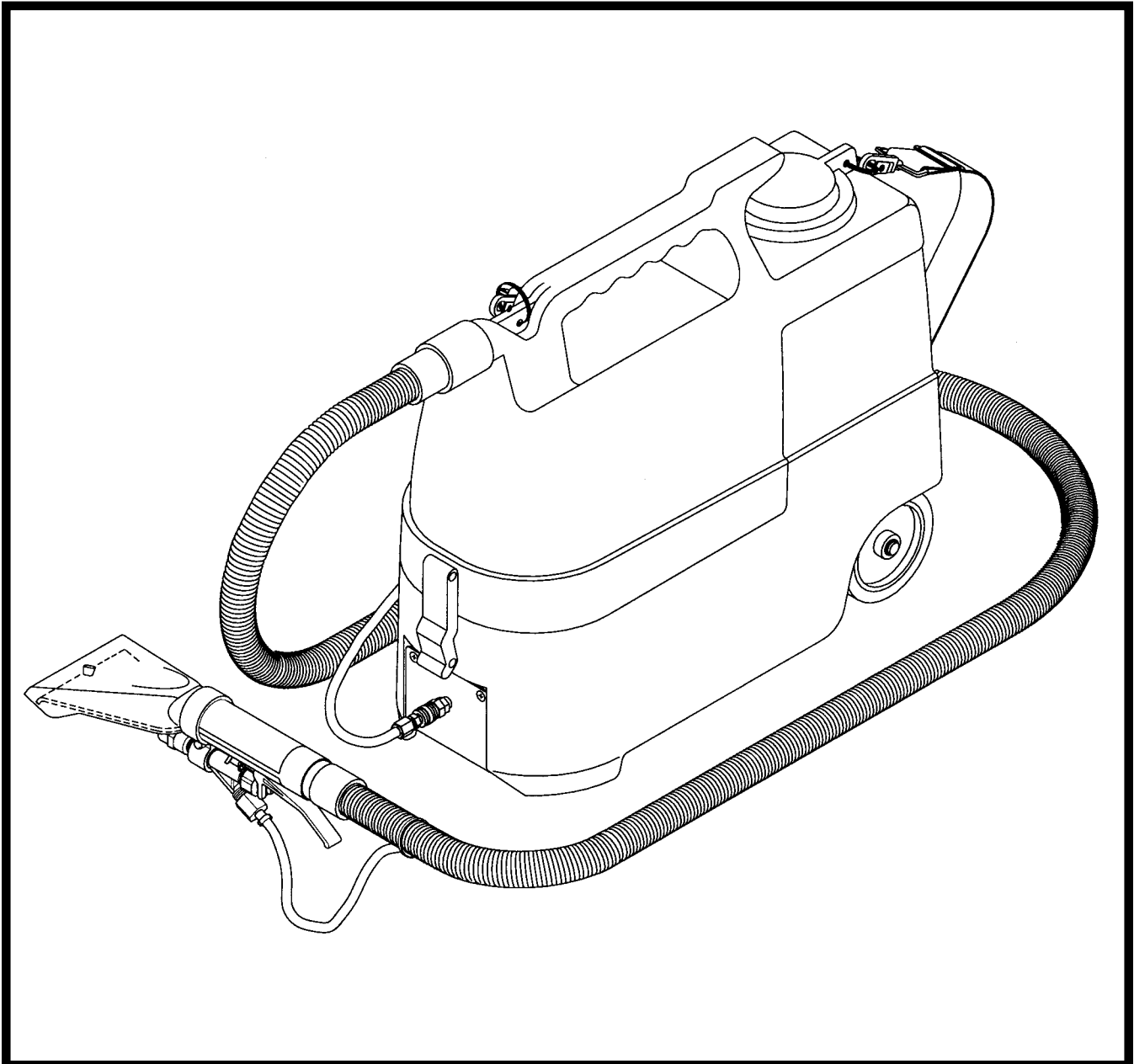
Model: C46200-00  
C46200-02  
C46200-02CE

OPERATION

SERVICE

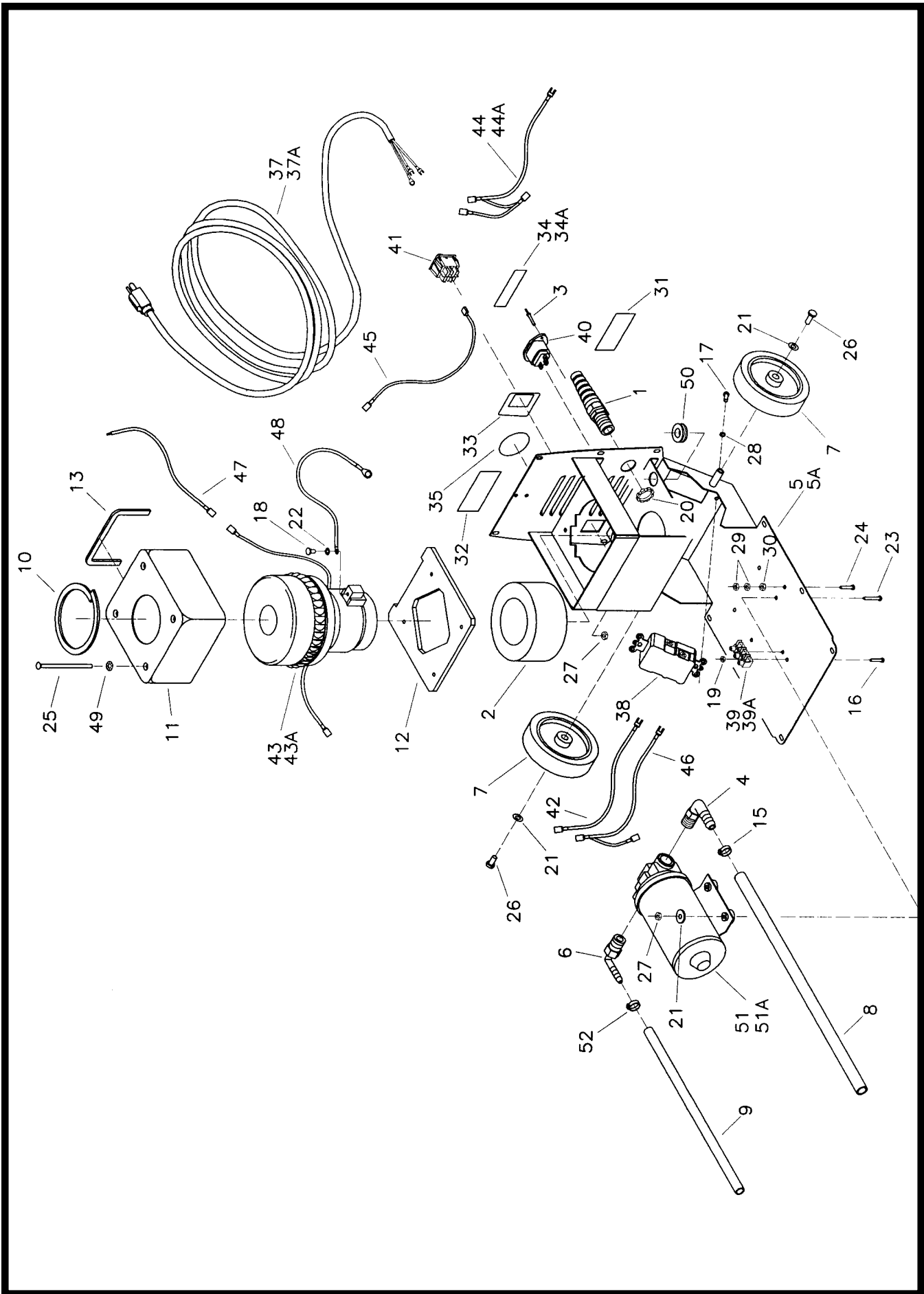
PARTS

CARE



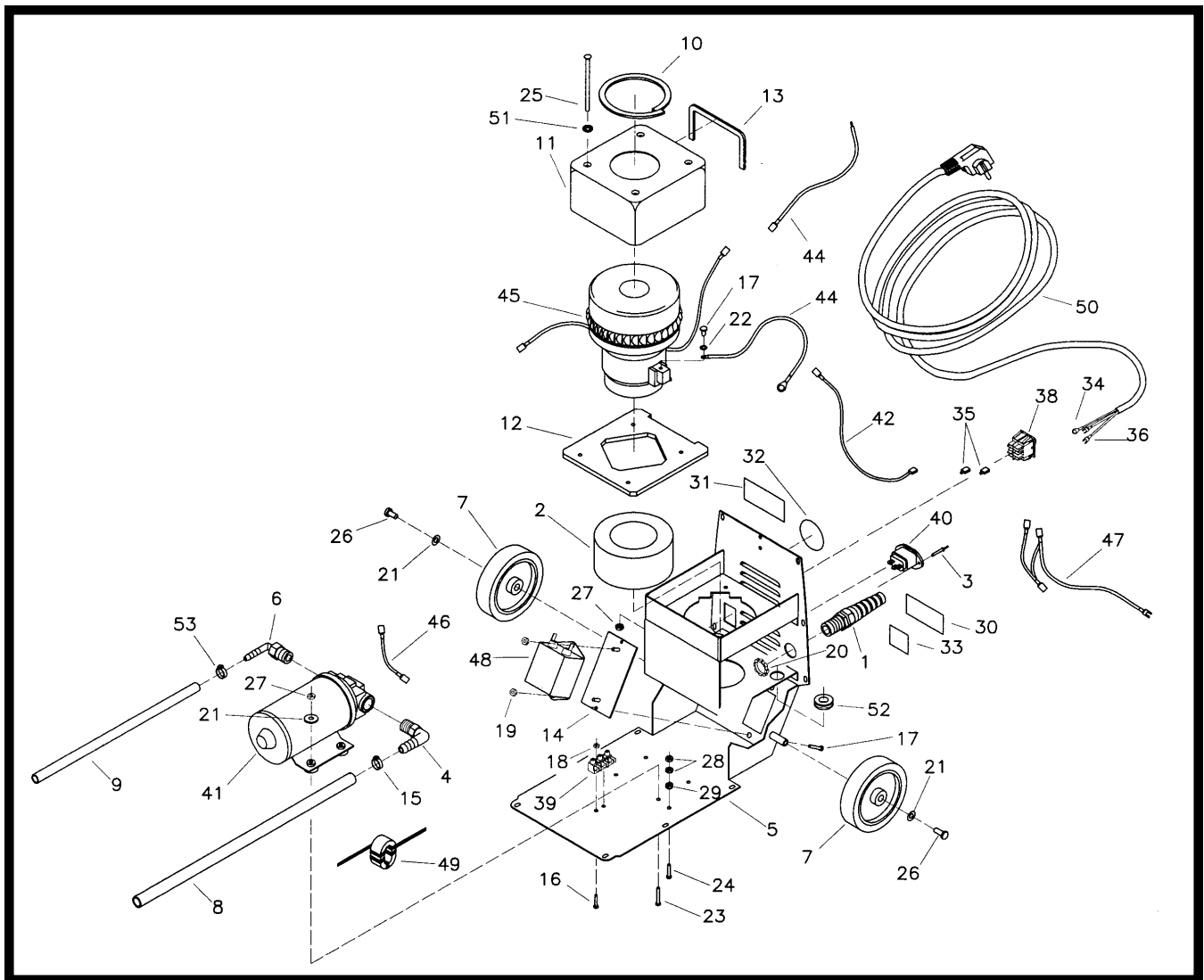
Revised 3/04

**Minuteman**<sup>®</sup>



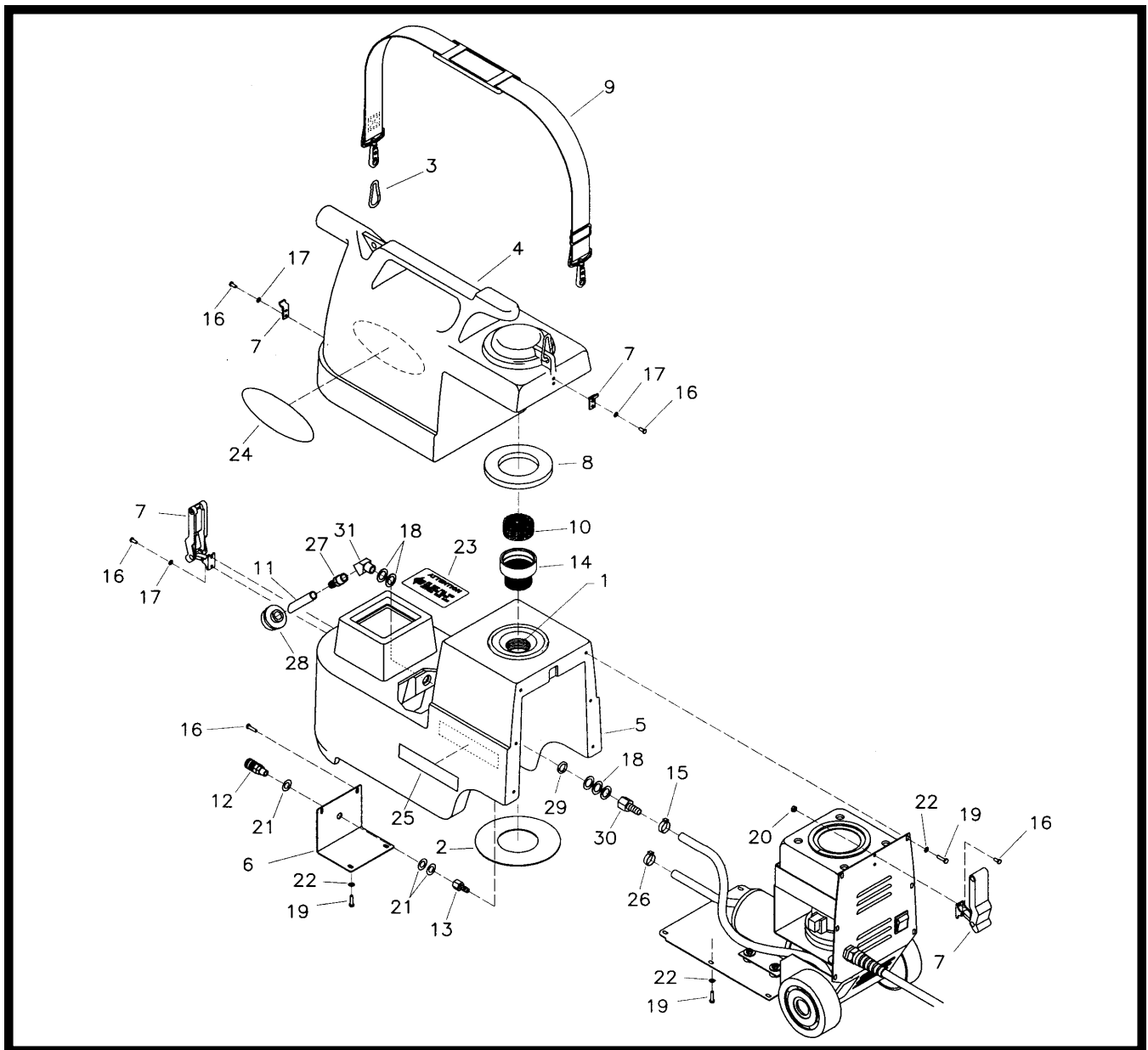
## Parts Listing - 120V & 240V

Item	Part No	Qty	Description
1	150004	1	Heyco Stain Relief
2	380064	1	Foam Ring
3	410-4419AA	2	Pop Rivet
4	450040	1	Elbow PLT 3/8 MPT x 3/8 Barb
5	450213	1	Frame Weldment (120V)
5A	450235	1	Frame Weldment (230V)
6	450222	1	Elbow PLT 3/8 MPT x 1/4 Barb
7	450226	2	Wheel 4"
8	450227	1	Hose Input 3/8 ID x 12 CL
9	450228	1	Hose Output 1/4 ID x 15 CL
10	450247	1	Top Gasket
11	450251	1	Vac Motor Shroud
12	450252	1	Bottom Gasket
13	450253	1	Front Gasket
14	450254	1	Gasket, GFCI (not shown)
15	452037	1	Crimp Clamp 170R
16	710207	1	SCR-MC 6-32 x .87 ST PL
17	711104	2	SCR-ST B 10 x .37
18	711124	1	SCR-ST B 10 x .37 NI
19	711301	1	Nut-Hex 6-32
20	711400	1	Nut-Pipe Lock 1/4 NPT
21	711504	6	WSR-Flat 1/4 SS
22	711553	1	WSR-INT Lock #10
23	712532	4	SCR-MC 10-24 x 1.00 SS
24	712537	1	SCR-MC 10-24 x .75 SS
25	712543	4	SCR-MC 10-24 x 3.50 FH SS
26	712560	2	SCR-MC 1/4-20 x .50 SS Nyloc
27	712638	8	Nut-Hex 10-24 SS Nyloc
28	712770	2	WSR-Int. Tooth #10
29	712905	2	Nut-Hex 10-24
30	712908	1	Nut-Flanged Wizz 10-24
31	715009	1	Decal - Warning
32	715029	1	Decal - Serial Number
33	715179	1	Decal - Spotter Switch
34	715340	1	Decal - (120V)
34A	715341	1	Decal - (240V)
35	715501	1	Decal - Made in USA
36	740099	2	Wire Tie Small (not shown)
37	740387	1	Cord 18-3, 25 FT, Spade Term
37A	742248	1	Cord Asm 230V Crptspr
38	740448	1	Ground Fault Interrupter 115V Only
39	740726	1	Terminal Block 3-Position
39A	742101	1	Terminal Block 4-Position
40	741038	1	Receptacle
41	742102	1	Switch 2-Position
42	742196	1	Wire Asy Grn/Yel 16G
43	742244	1	Vac Motor Assembly 115V
43A	742247	1	Vac Motor Assembly 230V
44	742240	1	Wire Asy Violet 16G (120V only)
44A	742250	1	Wire Asy Violet 16G (230V only)
45	742241	1	Wire Asy Black 16G
46	742242	1	Wire Asy White 16G (120V only)
47	742243	1	Wire Asy White 16G
48	742245	1	Wire Asy Grn/Yel 16G
49	75-89A	4	Nut-Speed
50	762299	2	Rubber Grommet
51	829757	1	Pump 50 PSI 115V
51A	742150	1	Pump 230V Bypass
52	828490	1	Crimp Clamp 140R



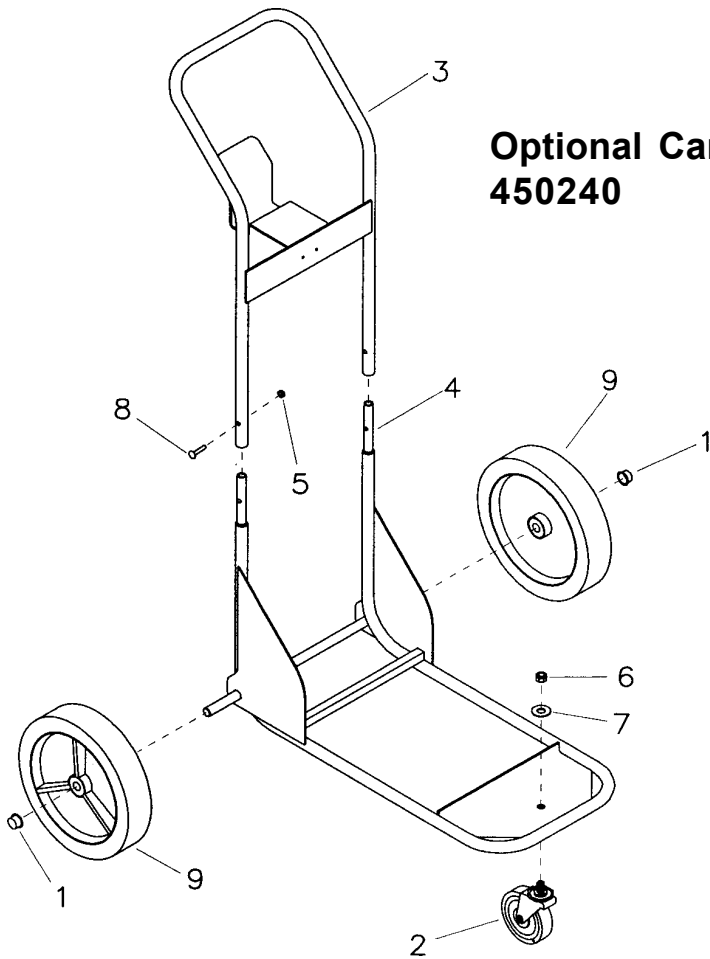
## 450220CE 230V European Parts Listing

Item	Part No	Qty	Description	Item	Part No	Qty	Description
1	150004	1	Heyco Stain Relief	28	712905	2	Nut-Hex 10-24
2	380064	1	Foam Ring	29	712908	1	Nut-Flanged Wizz 10-24
3	410-4419AA	2	Pop Rivet	30	715009	1	Decal - Warning
4	450040	1	Elbow PLT 3/8 MPT x 3/8 Barb	31	715029	1	Decal - Serial Number
5	450213CE	1	Frame Weldment	32	715501	1	Decal - Made in USA
6	450222	1	Elbow PLT 3/8 MPT x 1/4 Barb	33	715633	1	Decal - CE
7	450226	2	Wheel 4"	34	740010	1	Ring #10 14-16G Non-Insul
8	450227	1	Hose Input 3/8 ID x 12 CL	35	740014	2	Terminal Insulated
9	450228	1	Hose Output 1/4 ID x 15 CL	36	740018	2	FEM RT Ang 14-16G INS 1/4"
10	450247	1	Top Gasket	37	740099	2	Wire Tie Small (not shown)
11	450251	1	Vac Motor Shroud	38	740711CE	1	Switch 2 Position
12	450252	1	Bottom Gasket	39	740726	1	Terminal Screw Tab
13	450253	1	Front Gasket	40	741038	1	Recepticle, IEC 320
14	450299	1	EMI Filter Mounting Plate	41	742150	1	Pump 230V Bypass
15	452037	1	Crimp Clamp 170R	42	742240	1	Wire Asy Black 16G
16	710207	1	SCR-MC 6-32 x .87 ST PL	43	742243	1	Wire Asy White 16G
17	711124	3	SCR-ST B 10 x .37 NI	44	742245	1	Wire Asy Grn/Yel 16G
18	711301	1	Nut-Hex 6-32	45	742247	1	Vac Motor Assembly 230V
19	711304	2	Nut-Hex 8-32 ST PL	46	742249	1	Wire Asy White 16G
20	711400	1	Nut-Pipe Lock 1/4 NPT	47	742250	1	Wire Asy Violet 16G
21	711504	6	WSR-Flat 1/4 SS	48	712256	1	EMI Filter
22	711553	1	WSR-INT Lock #10	49	742292	1	Ambassador CE RFI Torrid
23	712532	4	SCR-MC 10-24 x 1.00 SS	50	742381	1	Cord Set 25 ft. 1.0 m.m.
24	712537	1	SCR-MC 10-24 x .75 SS	51	75-89A	4	Nut-Speed
25	712543	4	SCR-MC 10-24 x 3.50 FH SS	52	762299	2	Rubber Grommet
26	712560	2	SCR-MC 1/4-20 x .50 SS Nyloc	53	828490	1	Crimp Clamp 140R
27	712638	4	Nut-Hex 10-24 SS Nyloc				

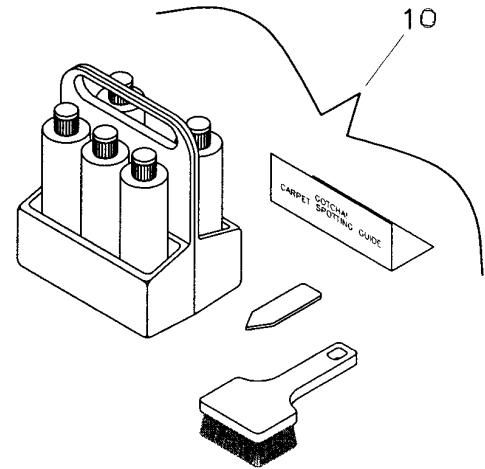


### Parts Listing

ITEM	PART NO	QTY	DESCRIPTION	ITEM	PART NO	QTY	DESCRIPTION
1	000708	.03	RTV Sealant	17	711552	8	WSR-Int Tooth 8
2	260294	1	Gasket	18	711594	3	WSR-Flat .56 x .88 x .03
3	430103	2	Spring Hook	19	712540	16	SCR-MC 10-24 x 3/8 SS
4	450201	1	Recovery Tank	20	712621	2	Nut-Keps 8-32 SS
5	450202MCH	1	Solution Tank Machined	21	712767	3	WSR-Flat .406 x .75 x .03 SS
6	450205	1	Quick Disconnect Plate	22	712770	16	WSR-Int Tooth 10
7	450207	2	Latch	23	715180	1	Decal
8	450209	1	Gasket	24	715188	2	Decal, Gotcha!
9	450214	1	Strap	25	715380	2	Decal, Minuteman
10	450215	1	Vac Pre-filter	26	828490	1	Crimp Clamp 140R
11	450216	1	Solution Hose	27	828952	1	3/8 BARB x 1/4 MPT PLS
12	450221	1	Quick Connect Coupler	28	828974	1	Strainer
13	450225	1	1/4 BARB x 1/8 FPT Brass	29	832326	1	O-Ring
14	450229	1	Filter Assembly	30	833473	1	3/8 Hose BARB x 1/4 FPT
15	452037	1	Crimp Clamp 170R	31	833906	1	1/4 Street 45 Brass
16	710025	8	SCR-MC 8-32 x 3/8 SS				



**Optional Cart  
450240**

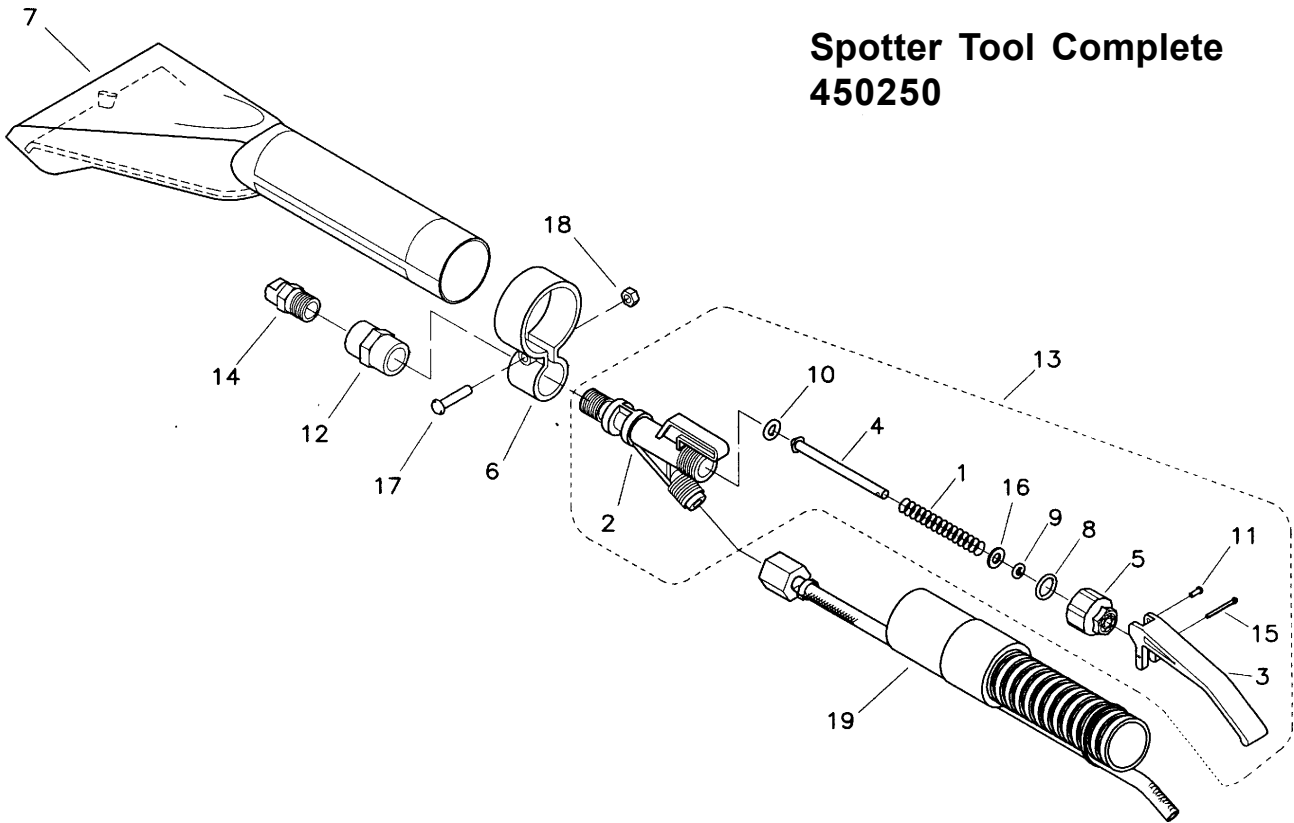


**Optional Spotter Kit  
902000**

**Parts Listing**

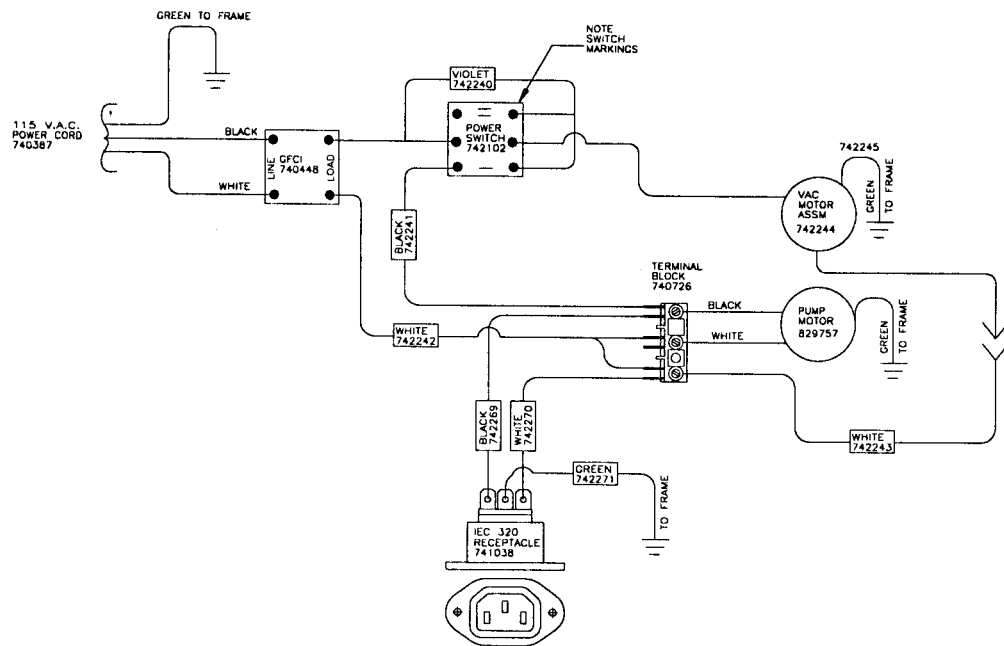
ITEM	PART NO	QTY	DESCRIPTION
1	130032	2	Hub Cap
2	280016	1	3" Caster
3	450238	1	Handle Weldment
4	450239	1	Frame Weldment
5	711350	2	Nut 10-32 Nyloc
6	711375	1	Nut 3/8-16 Nyloc
7	711508	1	WSR .44 x 1.0 x .09
8	712546	2	SCR-MC 10-32 x 1.0 SS
9	900008	2	8" Dia Wheel
10	902000	1	Optional - Carpet Spotting Kit

## Spotter Tool Complete 450250

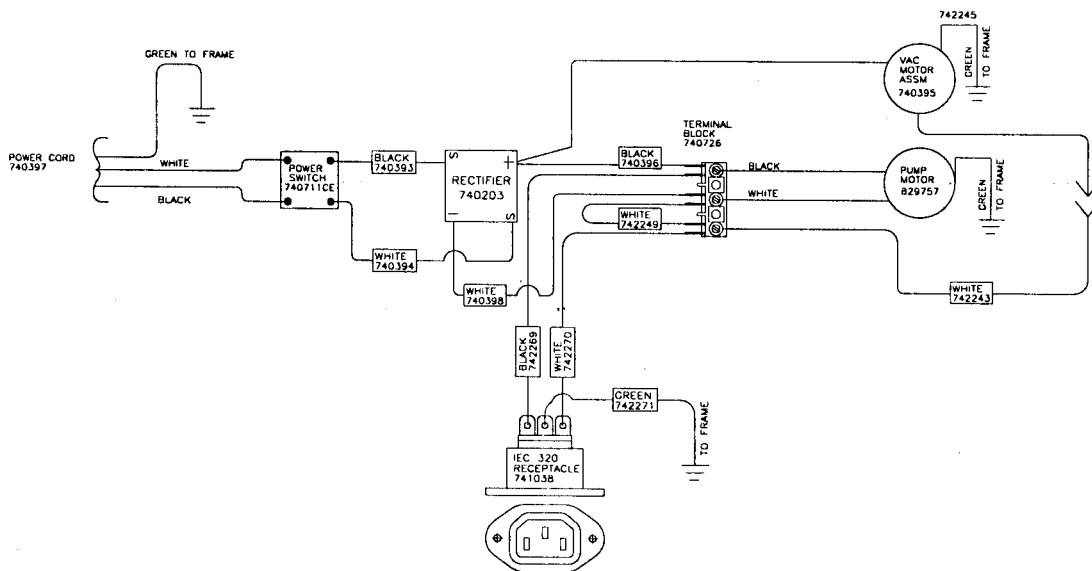


### Parts Listing

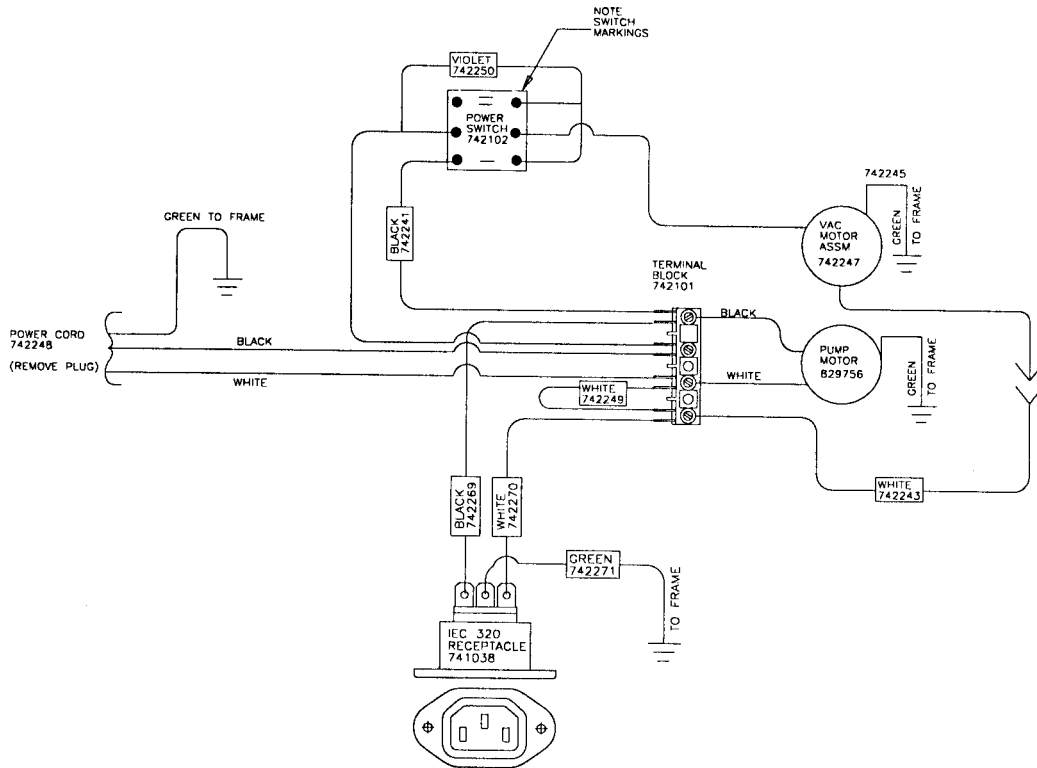
ITEM	PART NO	QTY	DESCRIPTION
1	390049	1	Spring
2	390052	1	Body
3	390053	1	Trigger
4	390054	1	Valve Stem, Brass
5	390055	1	Cap, Valve
6	390056	1	Mount
7	390059	1	Nozzel
8	390060	1	O-Ring, Seal Valve
9	390061	1	O-Ring, Valve Stem
10	390062	1	O-Ring, Valve Seat
11	390063	1	Pin
12	390064	1	Coupling
13	390066	1	Solution Valve Assy Comp
14	450248	1	Spray Jet
15	711803	1	Cotter Pin .06 x .75
16	712320	1	WSR-Nylon .22 x .45 x .04
17	712545	1	SCR-MC 10-32 x .87 SS
18	712636	1	Nut, Hex 10-32 SS
19	450249	1	Hose Assy Comp
	450210	1	Solution Hose, 9.5 Ft
	450211	1	Vacuum Hose Assy
	450218	1	1/4 FPT x 1/8 Barb Brass
	450219	1	Q-Connect Male 22-2 SS
	450223	1	1/8 Barb x 1/8 FPT Brass
	828062	6	Cable Tie Large
	830082	2	Hose Clamp 3/8



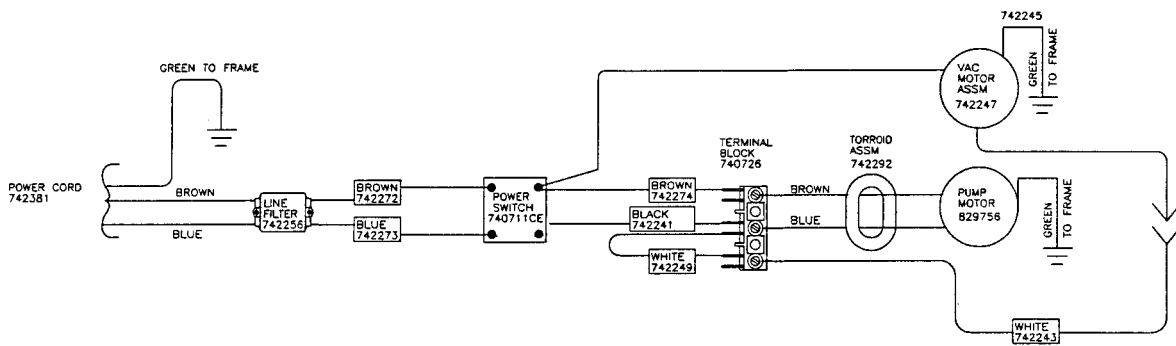
**WIRING DIAGRAM 115 VOLT**



**WIRING DIAGRAM 115 VOLT 400HZ**



**WIRING DIAGRAM STANDARD 230 VOLT**



**WIRING DIAGRAM CE 230 VOLT**