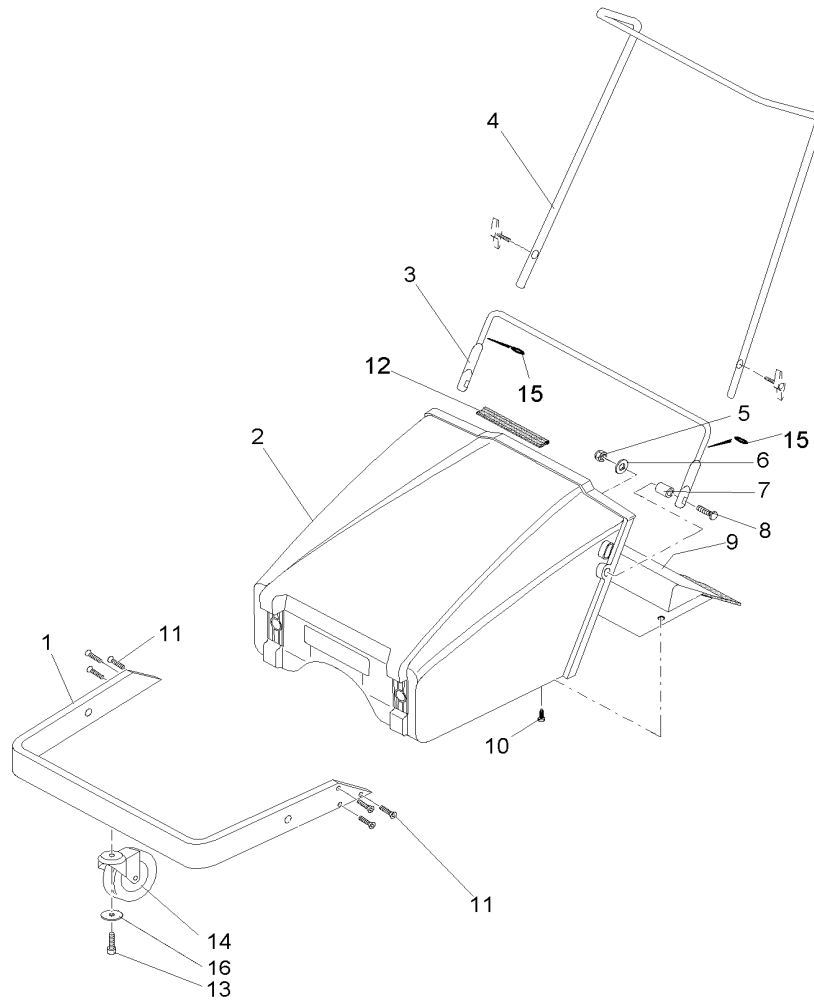




Parts Manual
Kleen Sweep 27M
Walk-Behind Manual Sweeper

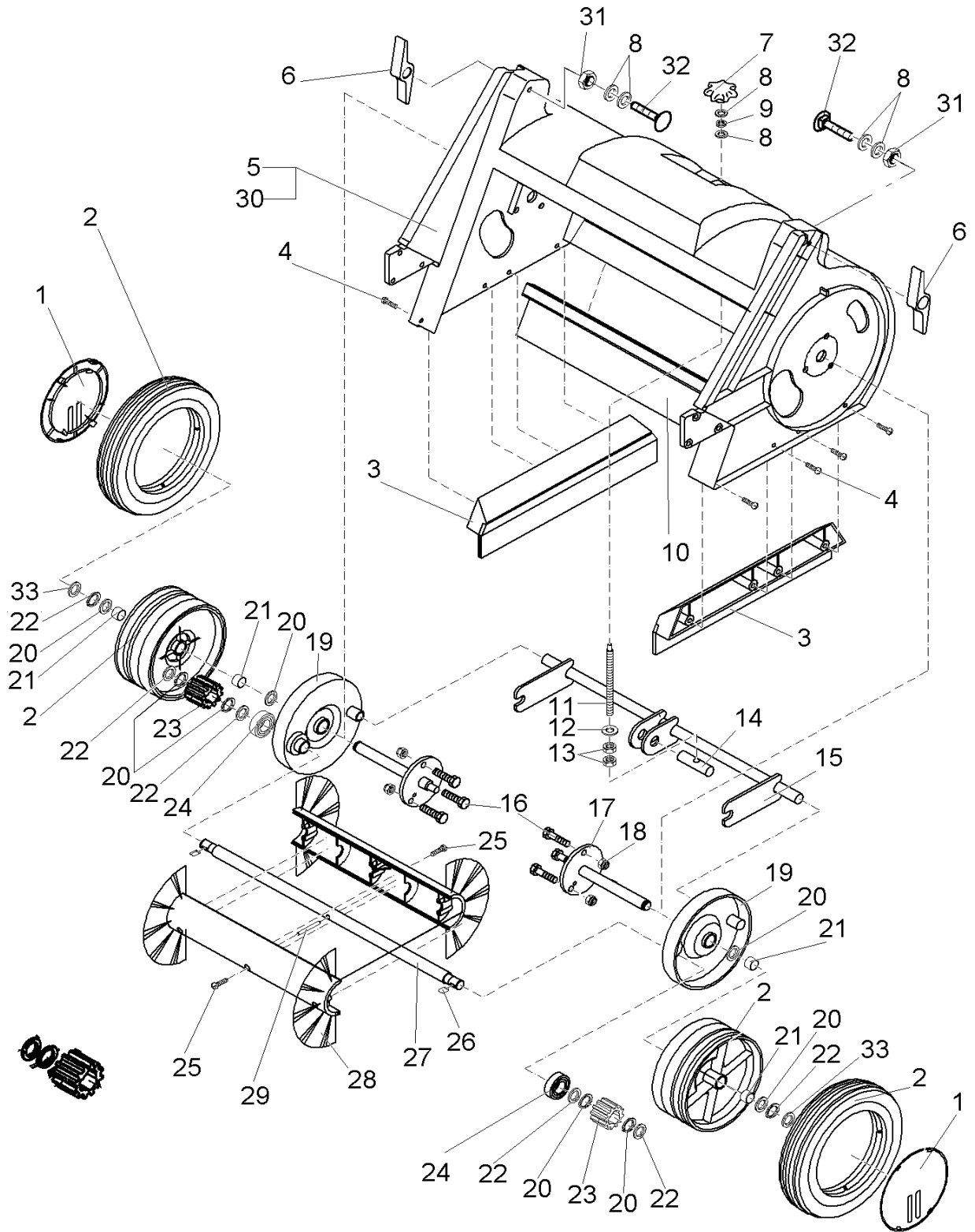
Debris Box & Frame Assembly



Bill of Material - 99620621BT10

Item	Spare part number Ref. No.	Mat No. Mat No.	Qty. Qté.	Description	Designation	Measurement Mesurage	DIN / ISO
1	00036270	96073580	1	Tube bow	Etrierdetube		
2	XXXXXXXX		1	no part-No.	aucun part-No.		
3	00670860	90304205	1	Handle	Étrier		
4	00036280	90332818	1	Capping piece	Traverse		
5	00051520	12040044	2	Hexagon nut	Hexagon nut	M6-6 A2G	DIN 985
6	00135120	12332011	2	Washer	Washer	6,4-140HV-St A3G	DIN 9021
7	00905570	90333303	2	Bushing	Douille		
8	00104930	11620036	2	Round head screw	Round head screw	M6x25-4.6 A2G	DIN 603
9	01059330	96090352	1	Sweeping strip	Liteau de balayures		
10	00155940	11405032	5	Tapping screw	Vis de tôle	ST4,8x13-C A2G	DIN 7981
11	01059300	11702081	6	Screw	Vis	M M6x16 A2G	DIN 7500
12	00563100	90332834	1	Rubber seal	Joint de caoutchouc		
13	00125430	11126158	1	Cylinder head screw	Vis de cylindre	M10x30-8.8 A3G	DIN 912
14	00800240	90135369	1	Steering roller	Poulie de guidage	GKR 01/80/25R-GPD	
15	00057720	15286149	2	O-ring oil resistant	Joint circulaire huile résistante	15x2.5 85	
16	00740290	12520061	1	Detent edged washer	Detent edged washer	SKM-10	

Brush Assembly

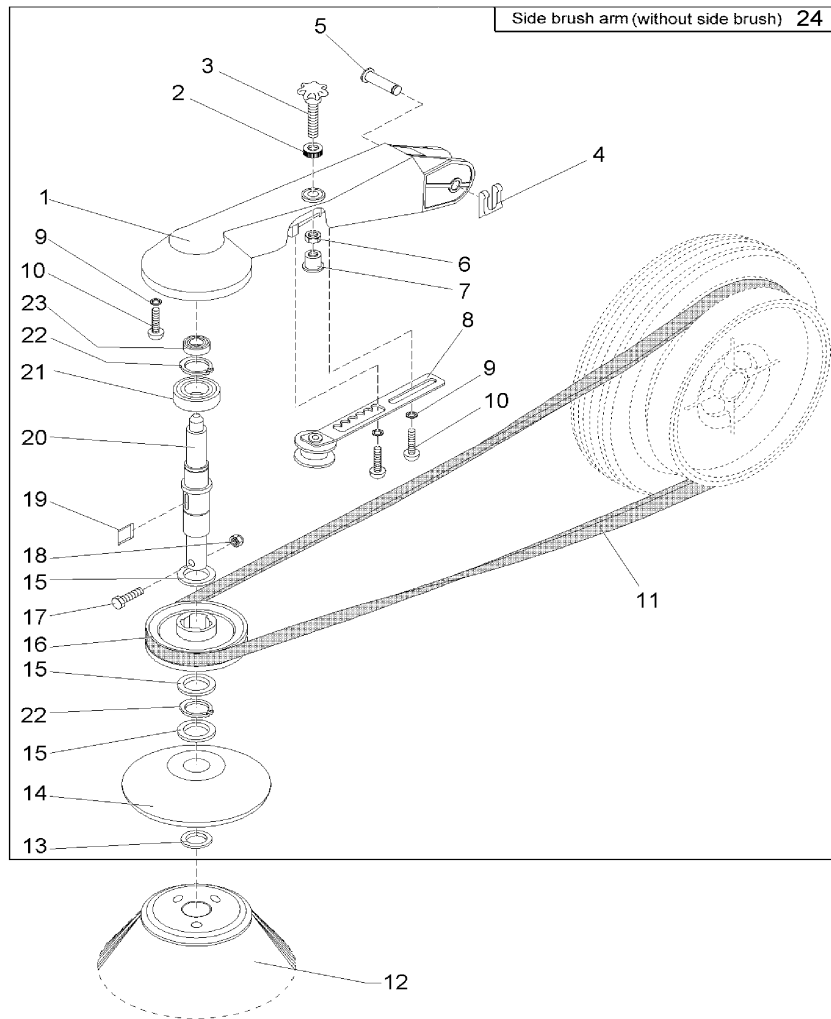


Brush Assembly BOM

Bill of Material - 99620621BT20

Item	Spare part number Ref. No.	Mat No. Mat No.	Qty. Qté.	Description	Designation	Measurement Mesurage	DIN / ISO
1	00670840	90509332	2	Hub cap grey	Capuchon de roue, gris		
2	00670110	97052443	2	Wheel, cpl.	Jante dentaire dentaire avec des pneus		
3	00670240	90304197	1	Seal strip	Corps de joint		
4	00905520	11709060	8	Screw	Vis	5x14	
5	XXXXXXXXXX		1	no part-No.	aucun part-No		
6	01059280	17133125	2	Wing nut, black	Écrou à ailettes, noir	M8 PA6 Rg	
7	00480430	17133018	1	Hand wheel	Roue à main	48/M8 SW-POL	
8	00053750	12310041	5	Washer	Washer	A8,4-140HV-St A2G	DIN 125
9	00046500	12012019	3	Hex. Nut	Écrou à 6 pans	BM8-04 A2G	DIN 439
10	00903060	90304288	1	Sealing section	Profil d'étanchéité		
11	00905550	90304320	1	Rod	Barre		
12	00042900	12332029	2	Washer	Washer	8,4-140HV-St A3G	DIN 9021
13	00053350	12022059	2	Hexagon nut	Hexagon nut	M8-8 A2G	DIN 934
14	00970380	90307174	1	Rod	Barre		
15	00671470	96067442	1	Shaft	Arbre		
16	00053010	11038072	6	Hex.bolt	Vis à 6 pans	M6x16-8.8 A2G	DIN 933
17	00562900	96073127	2	Wheel axle	Roueesieu		
18	00051520	12040044	6	Hexagon nut	Hexagon nut	M6-6 A2G	DIN 985
19	00670120	90302407	2	Broom rocker	Bras du balai à gauche		
20	00101760	12336210	8	Adjusting washer	Glace de passeport	16x22x0,5	DIN 988
21	00747240	90218389	4	Bushing	Douille		
22	00101450	12610077	6	Retaining ring	Circlip	16x1-phos.	DIN 471
23	00900420	90323684	2	Free-wheel pinion	Pignon libre		
24	00106300	14110258	2	Deep groove ball bearing	Roulement à billes rigides	6003-2RSH	DIN 625
25	00906070	11709094	6	Truss head screw	Vis de tête de lentille	5x30 A2G Polyfast	
26	00127050	90053083	1	Wedge	Clavette		
27	00321970	90331588	1	Shaft	Arbre		
28	XXXXXXXXXX		1	no part-No.	aucun part-No.		
29	00906080	13030325	1	Cylinder pin	Goupille de cylindre	6h8x50-St	ISO 2338
30	00420290	25740093	1	Gasket Tesamoll	Joint/Tesamoll	15X6Nr.763/A weiß	
31	00046500	12012019	3	Hex. Nut	Écrou à 6 pans	BM8-04 A2G	DIN 439
32	01059290	11620374	2	Screw	Vis	M8x60/40-4.6	DIN 603
33	00152530	12335022	2	Adjusting washer	Glace de passeport	16x22x1	DIN 988

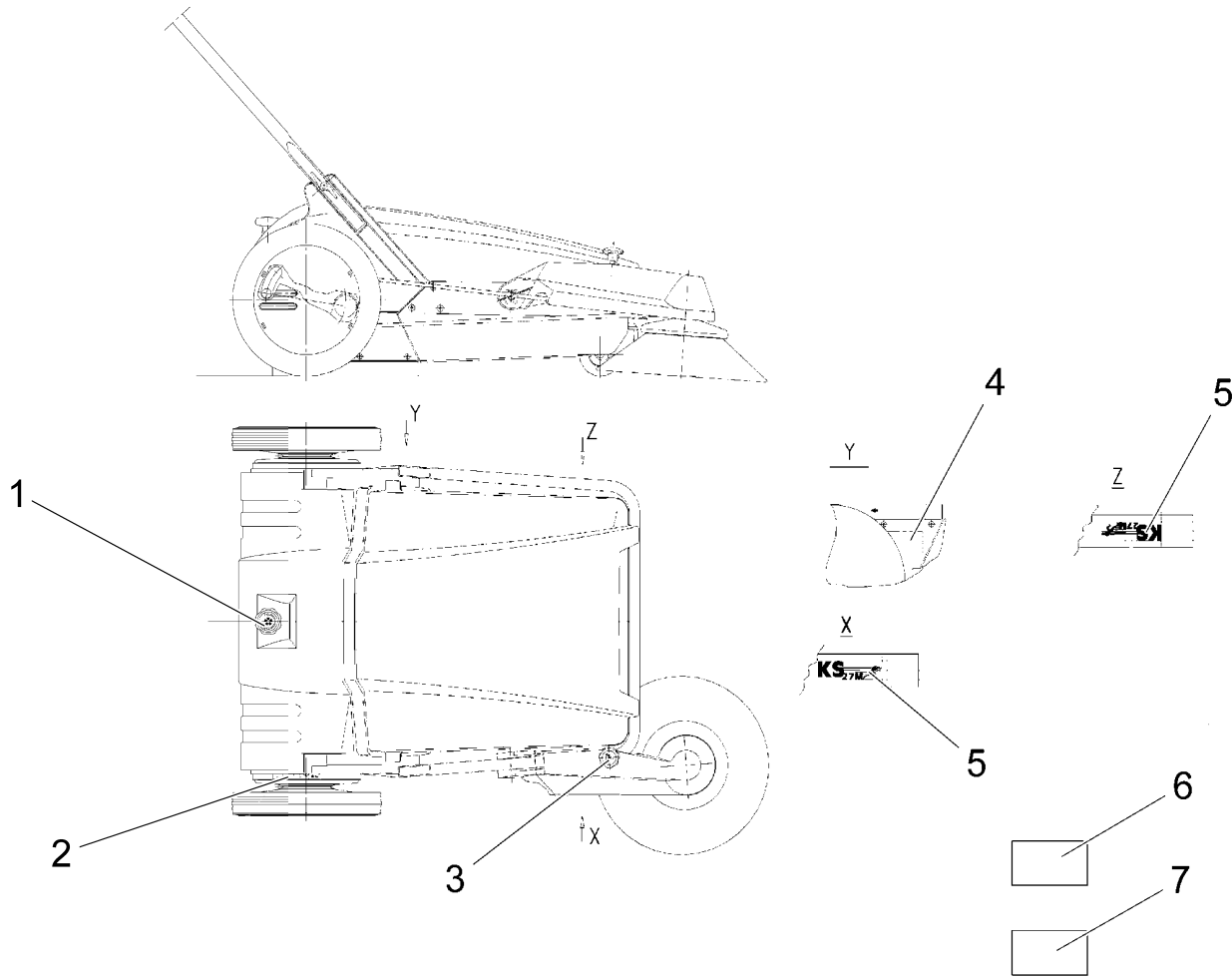
Side Brush Assembly



Bill of Material - 99620621BT30

Item	Spare part number Ref. No.	Mat No. Mat No.	Qty. Qté.	Description	Designation	Measurement Mesurage	DIN / ISO
1	00670360	90303801	1	Brush arm	Bras de brosse		
2	00906010	12156048	1	Knurled nut	Écrou a molet	F 1016-M8 PA6.6	
3	00906050	17133067	1	Star-handle bolt	Vis	M8x60 A2G	
4	00906030	12640090	1	Fuse	Fusible	12 mbo 08 galvanized	
5	00905600	90306218	1	Bolt	Boulon		
6	00053350	12022059	1	Hexagon nut	Hexagon nut	M8-8 A2G	DIN 934
7	00971450	15590508	1	gland			
8	00905580	96066899	1	Belt roll	Rôle de courroie		
9	00135120	12332011	3	Washer	Washer	6,4-140HV-St A3G	DIN 9021
10	00961600	11709029	3	Lens head screw	Vis à tête bombée	6x25PL45 A2G	
11	00562910	16414724	1	V-belt	Poulie en V	8x1765 +/-5 A7288	DIN 2215
12	00310200	90348749	1	Side brush	Balai latéral		
13	00906020	12336517	1	Adjusting washer	Glace de passeport	14x20x0,5	DIN 988
14	00670890	90303819	1	Rejecting plate	Plaque de rejet		
15	00101760	12336210	3	Adjusting washer	Glace de passeport	16x22x0,5	DIN 988
16	00903350	90303827	1	Belt pulley	Poulie de courroie		
17	00053040	11038122	1	Hex.bolt	Vis à 6 pans	M6x30-8.8 A2G	DIN 933
18	00051520	12040044	1	Hexagon nut	Hexagon nut	M6-6 A2G	DIN 985
19	00127050	90053083	1	Wedge	Clavette		
20	00876680	90347725	1	Shaft	Arbre		
21	00055730	14110431	1	Deep groove ball bearing	Roulement à billes rigides	6002-RSH	DIN 625
22	00022340	12610069	2	Retaining ring	Circlip	15x1-phos.	DIN 471
23	00906040	14110795	1	Deep groove ball bearing	Roulement à billes rigides	6000	DIN 625
24	00036300	97046676	1	Side brush arm (without brush)	Bras d'balai latéral (sans brosse)		

Machine Labels



Bill of Material - 99620621BT40

Item	Spare part number Ref. No.	Mat No. Mat No.	Qty. Qté.	Description	Designation	Measurement Mesurage	DIN / ISO
1	XXXXXXXX		1	no part-No.	aucun part-No.		
2	XXXXXXXX		1	no part-No.	aucun part-No.		
3	01130650	17248022	1	Decal	Autocollant		
4	01073530	17220013	1	Transparency	Feuille de responsable		
5	XXXXXXXX		2	no part-No.	aucun part-No.		
6	XXXXXXXX		4	no part-No.	aucun part-No.		
7	XXXXXXXX		1	no part-No.	aucun part-No.		